



SmartZone™ Gateway- Enabled MSPO Series Rack PDU

User Manual

IM013

GE-PDU

**Release 1
Issue 2**

Copyright © 2018 Panduit Corp. All rights reserved. No part of this book shall be reproduced, stored in a retrieval system, or transmitted by any means, electronic, mechanical, photocopying, recording or otherwise, without written permission from Panduit. No patent liability is assumed with respect to the use of the information contained herein.

Although every precaution has been taken in the preparation of this book, Panduit assumes no responsibility for errors or omissions. Neither is any liability assumed for damages resulting from the use of the information contained herein.

Table of Contents

SmartZone™ Gateway-Enabled MSPO Series Rack PDU	4
Contacting Panduit	4
Symbols Used	4
Equipment Overview	6
Box Contents	6
Cable Details	6
Voltage and Current Values	7
Model Numbers	7
Pre-Installation	9
Installation	10
Product Inspection	10
Plug Connection	10
Hardwiring	10
Vertical Mounting	11
Horizontal Mounting	13
SmartZone 1RU Inline Meters	13
Optional Accessories	14
Additional Required Items	15
Safety Precautions	15
Servicing	15
Product Safety Warnings	15
Rules	16
Environmental Specifications	17
Bonding	17
Hardware	18
LCD Display	18
Gateway User Interface	19
Access the PDU Graphical User Interface	19
Using the PDU Graphical User Interface	20
Appendix A - Temperature Sensor Adapter Installation	21
New Installations	21
Existing Installations.	22
Fitting the Adapter In-line.	22

SmartZone™ Gateway-Enabled MSPO Series Rack PDU

Gateway-Enabled MSPO (Monitored and Switched Per Outlet) Series Rack PDUs manage and distribute power to multiple power devices through a single power connector. This PDU allows you to access, configure, and manage power consumption and environmental parameters from remote locations.

The MSPO Series PDU monitors per-phase power, voltage and current, per-outlet power, voltage and current, per-branch current, and includes the ability to switch the power to each outlet off or on.

SmartZone™ Gateway-Enabled PDUs are available in a wide range of configurations and power connections and outlets and can be mounted vertically or horizontally.







Contacting Panduit

For Technical Support on PDU hardware and associated software, please contact Panduit Technical Support using one of the following methods:

1-866-721-5302 (toll-free)
Monday-Friday, 7:30 am - 5:00 pm CST
systemsupport@panduit.com

Symbols Used

Symbol	Description
	Danger – Electric Shock Hazard
	Warning – Possible Safety Hazard

Symbol	Description
	Primary Earth Ground
	Secondary Earth Ground
	ON
O	OFF

Equipment Overview

The power inlet/cord(s) connects the PDU to the electrical power source. The LCD displays the current load for each input feed or electrical phase per input feed.

Box Contents

The SmartZone Gateway-Enabled Rack PDU box contains the following:

- Gateway-Enabled Rack PDU
- Configuration Cable
- CD
- Mains Adapter
- External Grounding Stud

Cable Details

- **63A single and three phase feed cable – 10mm² (0.40 inches²) conductors:**
HO7 cable type terminated with (1P) 3-pin 63A commando and (3P) 5-pin 63A commando (IEC60309)
- **32A single and three phase feed cable – 6.0mm² (0.23 inches²) conductors:**
HO7 cable type terminated with (1P) 3-pin 32A commando and (3P) 5-pin 32A commando (IEC60309)
- **16A single and three phase feed cable – 2.5mm² (0.10 inches²) conductors:**
HO7 cable type terminated with (1P) 3-pin 16A commando and (3P) 5-pin 16A commando (IEC60309)
- **13A single phase feed cable – 1.5mm² (0.06 inches²):** HO7 cable type terminated with 3-pin UK plug
- **10A single phase feed cable – 1.0mm² (0.04 inches²):** HO7 cable type terminated with 3-pin IEC C14 Plug

For IEC C-20 inlet PDUs, a customer-supplied cord is used for connection to the power source. The connection end to the PDU has an IEC C-19 plug for connection to the PDU. The opposite end of the cord shall have a plug suitable for connecting to the customer supplied receptacle. The cord and plug shall be rated for 20A in North America and 16A outside of North America. The connection to the PDU should be made prior to connecting to the power source.

Voltage and Current Values

Non-U.S./Canada		U.S./Canada	
Voltage	Current	Voltage	Current
240, 415	10, 13, 16, 20, 30, 32, 48, 63	120, 208	12, 16, 24, 40, 48

Model Numbers

The following table lists the specifications for the Gateway-Enabled Rack PDU model numbers.

Horizontal	IQ Adapter
HC- <i>www</i> V <i>xx</i> A	IM- <i>www</i> V <i>xx</i> A
HD- <i>www</i> V <i>xx</i> A	IL- <i>www</i> V <i>xx</i> A
HL- <i>www</i> V <i>xx</i> A	Single Inline
HM- <i>www</i> V <i>xx</i> A	GM- <i>www</i> V <i>xx</i> A
HP- <i>www</i> V <i>xx</i> A	GL- <i>www</i> V <i>xx</i> A
HS- <i>www</i> V <i>xx</i> A	Dual Inline
Vertical	LM- <i>www</i> V <i>xx</i> A
VC- <i>www</i> V <i>xx</i> A	LL- <i>www</i> V <i>xx</i> A
VD- <i>www</i> V <i>xx</i> A	Quad Inline
VL- <i>www</i> V <i>xx</i> A	AM- <i>www</i> V <i>xx</i> A
VM- <i>www</i> V <i>xx</i> A	AL- <i>www</i> V <i>xx</i> A
VP- <i>www</i> V <i>xx</i> A	Under the Floor
VS- <i>www</i> V <i>xx</i> A	UM- <i>www</i> V <i>xx</i> A

In the tables above, *www* is the voltage for single phase or 3-phase and *xx* is the possible current associated with the voltage. Refer to the chart below for valid International and U.S. values.

International		U.S.	
Voltage	Current	Voltage	Current
240, 415	10, 13, 16, 20, 30, 32, 48, 63	120, 208	15, 20, 30, 50, 60, 80

Pre-Installation

The Gateway-Enabled Rack PDU products covered by this guide are designed to be installed within EIA racks and cabinets. Use of this product in other applications is acceptable, but other precautions may be required to allow for specific installations not covered by this guideline.

Installation

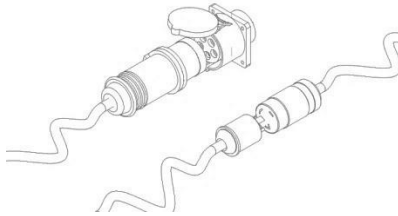
The Gateway-Enabled Rack PDUs are designed to be installed within 19" rack cabinets. Use of this product in other applications is acceptable, but other precautions may be required to allow for specific installations not covered here.

Product Inspection

Before installing your PDU, ensure that it has been inspected. If the product has any visible signs of damage please contact Panduit customer support at 800-777-3300 or cs@panduit.com. Please register your product to receive notification of firmware and product updates at: <http://bit.ly/1aXKhr1>

Plug Connection

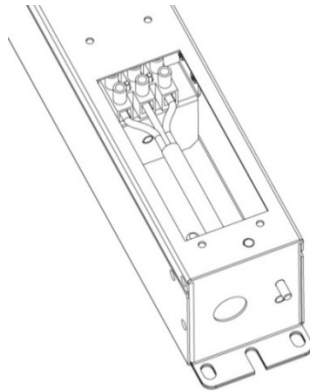
This product is intended to be connected by the customer and must be installed by a competent person in compliance with all local and national regulations.



Hardwiring

This product is intended to be hardwired by the customer. It must be installed by a qualified electrician in compliance with all local and national regulations.

1. To install the power cable, remove the securing screws on the removable user panel.
2. Connect the conductors to the rack PDU terminals, in line with the terminal markings provided.

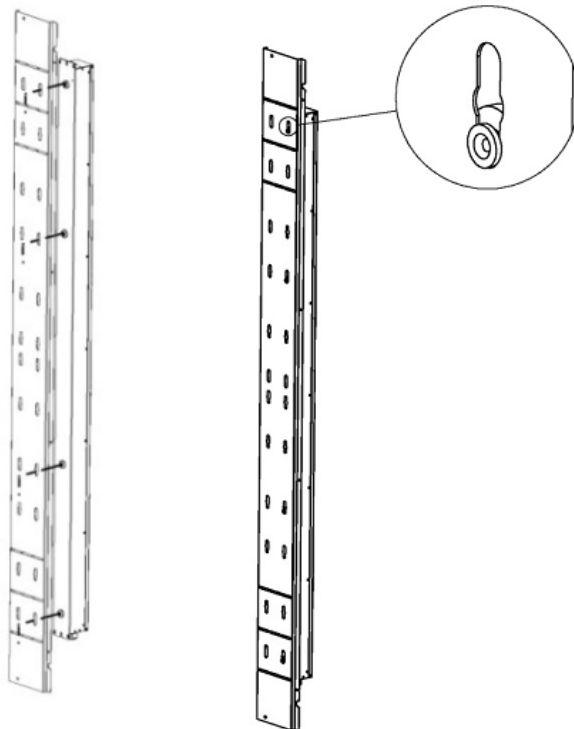


3. Ensure that the cover is replaced and secure before commissioning.

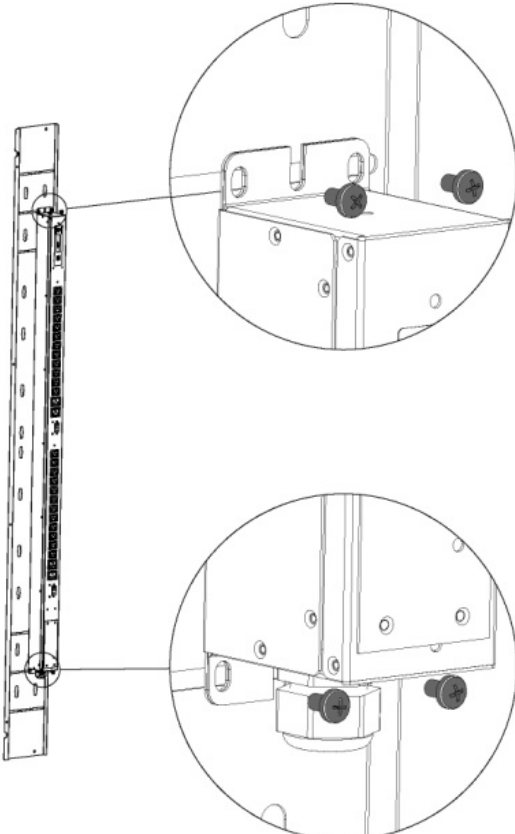
Vertical Mounting

Panduit recommends using the provided external grounding stud for supplementary ground bonding to the rack metalwork.

1. Insert the tool-less mounting buttons into the fixing holes on the back of the rack-/cabinet.



2. Install the PDU using the bracket mounting buttons and the mounting brackets located at either end of the PDU.

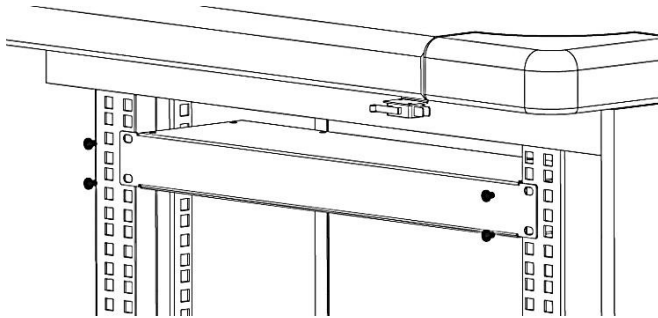


Horizontal Mounting

To mount this product horizontally, use the RU mountings via the brackets found at either end of the PDU with the provided accessory screws, listed below.

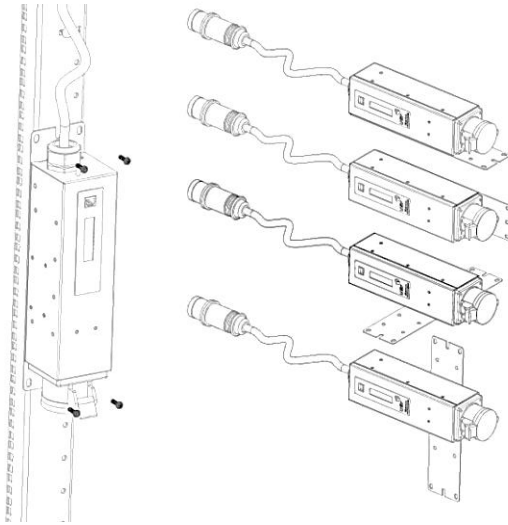
- Horizontal Models
North American units
(4) #10-32 x 1/2" MOUNTING SCREWS
(4) #12-24 x 1/2" MOUNTING SCREWS

Global units
(4) M6 x 20mm MOUNTING SCREWS
(4) #12-24 x 1/2" MOUNTING SCREWS



SmartZone 1RU Inline Meters

Install this product to the racks frame via the mounting plate holes found at either end of the PDU using the provided mounting hardware. The mounting plate can be adjusted as shown below.



Optional Accessories

- Temperature Sensor
- External Temperature Sensor
- Humidity Sensor
- Temperature/Humidity Sensor
- Water Contact Sensor
- Water Rope Sensor
- Air Flow Sensor
- Shock Sensor
- Digital Input Sensor
- Passive Infra-Red (PIR) Sensor
- Door Contact (micro switch)
- Door Contact (magnetic)
- Standard Electronic Swing Handle Kit
- Smoke Detector
- Differential Pressure Transducer
- Flashing Beacon with Sounder
- Flashing Beacon with no Sounder
- HID Access and Control Card Reader
- Keypad Kit
- LCD Display Module with Selector Switches (PCB only)
- External LCD Display

Additional Required Items

- Flathead and Phillips screwdrivers
- Appropriate local AC power receptacle to power the PDU
- Local active Ethernet port to communicate with the PDU

Safety Precautions

This section contains important safety and regulatory information that should be reviewed before installing and using the Rack PDU.

Servicing

There are no user-serviceable parts inside these products. Any maintenance or repair must be performed by approved service-trained personnel. Opening the unit will void the product warranty.

Product Safety Warnings



Warning: Use only in dry locations. Indoor use only.

PDU hardware has an International Protection Rating of IPX0.

The installer must connect the power distribution unit to an electrical supply that has a protective Earth conductor.

For pluggable equipment, the socket outlet should be installed near the equipment and should be easily accessible.



Warning: For permanently connected equipment, a readily accessible disconnect device should be incorporated external to the equipment.

Rack PDUs must be protected by a branch circuit protective device rated at the maximum rating of the product specified on the product rating label.

To avoid risk of overload, do not plug additional multiple outlet power distribution devices into the power distribution unit socket outlets.

This equipment is intended only for installation and use in a Service Access Location in accordance with the following installation and use instructions.

This equipment is designed to be installed on a dedicated circuit.

- The dedicated circuit must have circuit-breaker or fuse protection.
- Rack PDUs have been designed without a master circuit breaker or fuse to avoid becoming a single point of failure. It is the customer's responsibility to provide adequate protection for the dedicated power circuit. Protection of capacity equal to the current rating of the Rack PDU must be provided and must meet all applicable codes and regulations. In North America, protection must have a 10,000A interrupt capacity.



Warning: Always disconnect the power supply cord before opening to avoid electrical shock.



Danger Electric Shock risk **DANGER:** High leakage current! Ground connection is essential before connecting supply!



Danger Electric Shock risk **DANGER:** Double Pole/Neutral Fusing: The plug on the power supply cord must be installed near the equipment and must be easily accessible.

Rules

These limits are designed to provide reasonable protection against harmful interference when the equipment is operated in a commercial environment. This equipment generates, uses, and can radiate radio frequency energy and, if not installed and used in accordance with the instruction manual, may cause harmful interference to radio communications. Operation of this equipment in a residential area is likely to cause harmful interference in which case the user will be required to correct the interference at his own expense.

Changes/modifications not approved by the responsible party could void the user's authority to operate the equipment.

Environmental Specifications

- Operating Temperature: 0C to 40C
- Transportation Temperature: -10C to 70C
- Operating Humidity: 15% to 85% non-condensing
- Transportation Humidity: 5% to 90% non-condensing

Bonding

This product contains an external earthing screw with a star washer, which should be used for supplementary Earth bonding to the rack metalwork.

Bonding	
Minimum Requirements for Bonding Conductors	
Up to and including 32A	12 AWG
Up to and including 63A	8 AWG
Up to and including 80A	6 AWG
Screw Size	
Over 16A, less than or equal to 40A	5mm
Over 40A, less than or equal to 63A	6mm
64A	7mm

Hardware

LCD Display

The display shows the firmware version number, device model number, serial number, MAC Address, IP Address, and electrical readings. The display automatically scrolls through the readings, which include:

- Start Up messages
- Configuration/serial/product number messages
- Error/Status messages
- Aggregate data
- Single Phase data, 3-Phase Delta data, or 3-Phase Wye data
- Branch current data (if the unit has breakers)

Gateway User Interface

The SmartZone Gateway-Enabled Rack PDU provides access to configuration, power, and sensor data through the Gateway Graphical User Interface (GUI), using a standard browser. There are several ways to connect to the device's Gateway GUI, depending on your network configuration and the firmware revision of the device.

If the PDU has firmware revision 2.3.03 (or earlier), Static IP is the default. The configuration settings in this case are:

IPv4 Address:192.168.0.253

IPv4 Network:255.255.255.0

IPv4 Gateway:192.168.0.1

If the device has firmware revision 2.3.04 (or later), DHCP is the default, and one of the following scenarios will be used.

- If you have a DHCP Server available, connect to the appliance through that server, using the PDU's IP Address.

Note: The IP address for the Rack PDU is displayed on the device's LCD screen after the label IPv4

- If you do not have a DHCP server, you can run one on your PC. To connect to the device, use the IP address displayed on the LCD screen.
- If you want to use automatic IPv4 address configuration, you must activate DHCP on your PC and then connect directly to the PDU. This will give you an address on the 169.254.0.0/16 network. You can then connect directly using the IP Address displayed on the LCD screen.

Access the PDU Graphical User Interface

To access the GUI, open a web browser and enter the IP Address of the PDU. When the login page opens, you will be prompted to enter a login and password.

PANDUIT

Username:

Password:

Login

Serial Number: 16403
Firmware: 1.10.18

The default login and password are:

Login:admin

Password:admin

After successful login, the GUI opens to the Overview page.

Using the PDU Graphical User Interface

For detailed information on working with the GUI, refer to the appropriate SmartZone™ Gateway User Manual:

- SmartZone™ E24 Gateway User Manual
- SmartZone™ EP042 Gateway User Manual
- SmartZone™ EPA064 Gateway User Manual
- SmartZone™ EPA126 Gateway User Manual

Appendix A - Temperature Sensor Adapter Installation

Follow the instructions below to install the ZAHTLADT-02 v1.01.01 temperature sensor adapter module. This adapter allows legacy sensors to provide more accurate temperature readings.



Note: This adapter does not work with the ZETHL-14 temperature sensor.

New Installations

Follow these instructions when you are installing a standard temperature sensor, but the upgraded sensor input is required.

1. Plug the adapter directly into the back of the gateway, at the sensor port to be used for temperature.
2. Plug the temperature sensor connector into the adapter.



3. Update the gateway firmware to the latest release. See "Hardware" for details.

Existing Installations.

Follow these instructions when the sensor is already installed along with the gateway.

1. Unplug the current temperature sensor from the gateway, noting the location where it resided.
2. Insert the adapter into that location.
3. Plug the sensor into the end of the adapter.
4. Perform these steps for all other temperature sensors to be changed.
5. The gateway firmware must be updated to the latest firmware. See "Hardware" for details.

Before the adapter is fitted:



After the adapter is fitted:



Fitting the Adapter In-line.

This procedure is not recommended, but it may be the only solution in some cases.

1. Using a patch lead from the gateway and an RJ45 Jack to Jack through connector on its non-gateway end, plug the adapter RJ45 Plug into the through connector.
2. Plug either the RJ45 plug of a temperature sensor into the jack on the adapter or a patch lead with the temperature sensor on the end.

