

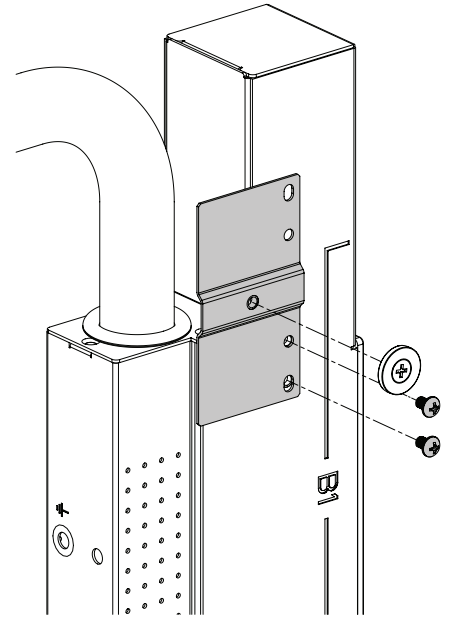
Compatible With:

P24B29M	P24B32M
P24D30M	P24D33M
P48B31M	P48B33M
P48B45M	P48D32M
P48D35M	P48D44M
P48E10M	P48E13M
P48F09M	P48F19M
P48G09M	P48G21M

Required Tool: Phillips PH1

Step 1: Remove mounting buttons from PDU, and install on PDU Mounting Brackets.

Step 2: Install each PDU Mounting Bracket with (2) #8-32 screws. Button should be oriented towards rear of PDU, and above mounting screws, as seen on the right.



For Instructions in Local Languages
and Technical Support:

www.panduit.com/resources/install_maintain.asp

PANDUIT

www.panduit.com

E-mail:
techsupport@panduit.com

Phone:
866-405-6654



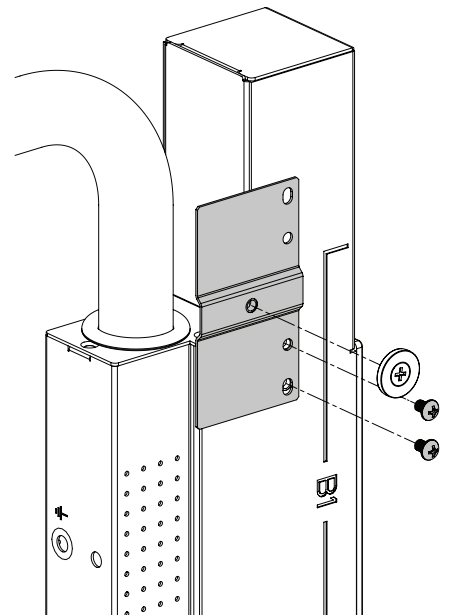
Compatible With:

P24B29M	P24B32M
P24D30M	P24D33M
P48B31M	P48B33M
P48B45M	P48D32M
P48D35M	P48D44M
P48E10M	P48E13M
P48F09M	P48F19M
P48G09M	P48G21M

Required Tool: Phillips PH1

Step 1: Remove mounting buttons from PDU, and install on PDU Mounting Brackets.

Step 2: Install each PDU Mounting Bracket with (2) #8-32 screws. Button should be oriented towards rear of PDU, and above mounting screws, as seen on the right.



For Instructions in Local Languages
and Technical Support:

www.panduit.com/resources/install_maintain.asp

PANDUIT

www.panduit.com

E-mail:
techsupport@panduit.com

Phone:
866-405-6654