



Product Installation Guide

This leaflet describes the installation for the SmartZone Gateway-enabled Rack Power Distribution Unit (PDU) products listed below.

Horizontal	IQ Adapter
HC- www VxxA	IM- www VxxA
HD- www VxxA	IL- www VxxA
HL- www VxxA	Single Inline
HM- www VxxA	GM- www VxxA
HP- www VxxA	GL- www VxxA
HS- www VxxA	Dual Inline
Vertical	LM- www VxxA
VC- www VxxA	LL- www VxxA
VD- www VxxA	Quad Inline
VL- www VxxA	AM- www VxxA
VM- www VxxA	AL- www VxxA
VP- www VxxA	Under the Floor
VS- www VxxA	UM- www VxxA

The products covered by this guide are designed to be installed within 19" rack cabinets. Use of this product in other applications is acceptable but other precautions may be required to meet the

In the tables above, **www** is the voltage for single phase or 3-phase and **xx** is the possible current associated with the voltage. Refer to the chart below for valid US and International values.

Non US/Canada		US/Canada	
Voltage	Current	Voltage	Current
240, 415	10, 13, 16, 20, 30, 32, 48, 63	120, 208	12, 16, 24, 40, 48

requirements of a specific installation not covered by this guideline.

Product Inspection

Ensure before installation the product is inspected. If the product has any visible signs of damage please contact Panduit customer support at 800-777-3300 or cs@panduit.com. Please register your product to receive notification of firmware and product updates at: <http://bit.ly/1aXKhr1>

IM002

Product Safety Warnings

Use only in dry locations. Indoor use only.

Utiliser uniquement dans des emplacements secs



The installer must connect the power distribution unit to an electrical supply that has a protective earth conductor.

For pluggable equipment, the socket outlet shall be installed near the equipment and shall be easily accessible.

For permanently connected equipment, a readily accessible disconnect device shall be incorporated external to the equipment.



Rack PDUs must be protected by a branch circuit protective device rated at the maximum rating of the product specified on the product rating label.

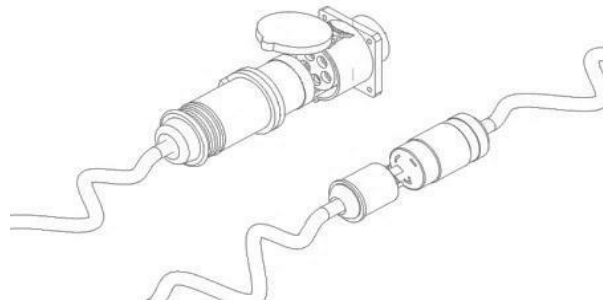
The power cord shall not be cut or modified in any way. Doing so will void any certification(s) and could cause a safety risk.

To avoid risk of overload, do not plug additional multiple outlet power distribution devices into the rack PDU socket outlets.

Connection of the SmartZone Gateway-enabled Rack PDUs

Plug Connection Procedure

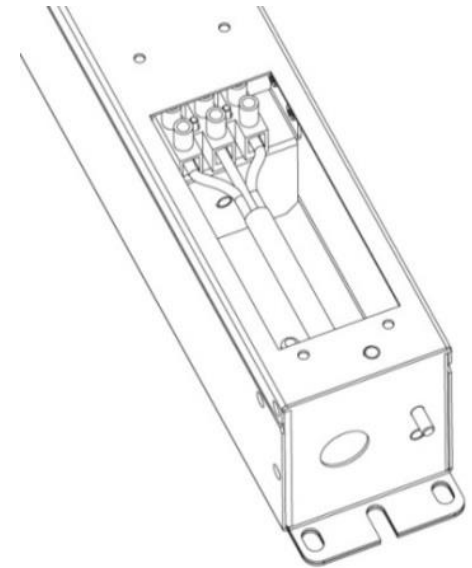
These products are intended to be connected by the customer and must be installed by a competent person in line with local and national regulations.



Hard Wiring Procedure

These products are intended to be hardwired by the customer and must be installed by a qualified electrician in compliance with local and national regulations.

To install the power cord, remove the securing screws on the removable user panel and connect the conductors to the rack PDU terminals. Conductors shall be connected in line with the terminal markings provided. Ensure that the cover is replaced and secure before commissioning.

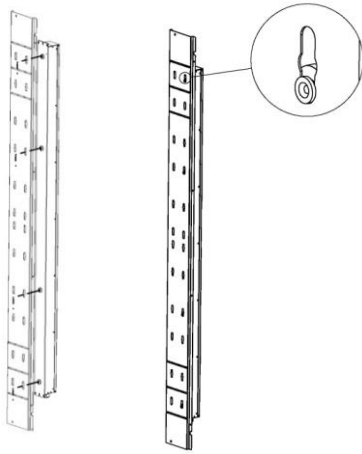


Product Mounting

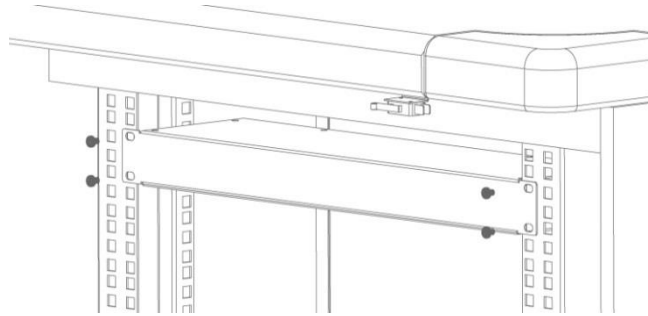
Panduit recommends using the provided external earthing stud for supplementary earth bonding to the rack metalwork.

Tool-less Mounting button

The product is intended to be installed using the tool-less mounting buttons. Buttons locate into fixing holes on the back of the rack/cabinet.



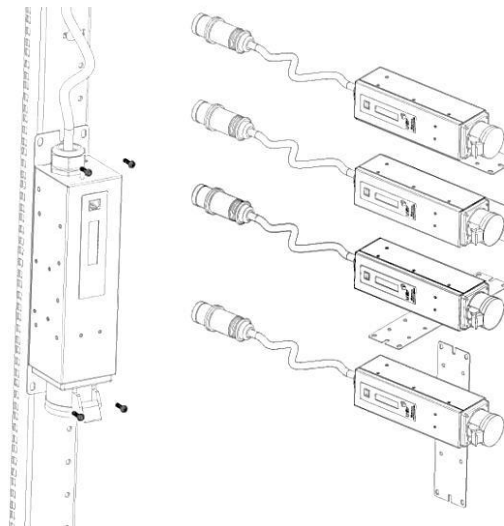
- **Horizontal 19" Mounting of SmartZone Zero-RU Inline Meters (Duel Link Boxes)**



This product is intended to be installed using the racks RU mountings via the brackets found at either end of the rack PDU with mounting hardware provided.

SmartZone 1RU Inline Meters (IQ Adaptors)

This product is intended to be installed to the racks frame via the mounting plate holes found at either end of the PDU using provided mounting hardware. The mounting plate can be adjusted as shown below.



Rack PDU Operation – Monitoring Equipment

The operating instructions for the onboard monitoring equipment can be found on the CD-ROM supplied with the SmartZone Gateways:

EPA126 (<i>Eagle-i</i>)	U-ZAEI - x
EPA064 (<i>Hawk-i3</i>)	U-ZAH13 - x
EP042 (<i>RackMS</i>)	U-ZAAKMS -x

For all models, **x** can be a combination of any additional numbers 0 to 9, letters UNI or NA, and dash in any order.

Environmental

Temperature

Operating:	10°C (50°F) min	40°C (104°F) max
Storage:	-25°C (-13°F) min	65°C (149°F) max

Humidity

Operating:	5% min	95% max (non-condensing)
Storage:	5% min	95% max (non-condensing)

Elevation

Operating:	0m (0 ft.) min	3000m (6,561 ft.) max
Storage:	0m (0 ft.) min	15240m (50,000 ft.) max



This Class A device complies with part 15 of the FCC Rules. Operation is subject to the following two conditions: (1) This device may not cause harmful interference, and (2) this device must accept any interference received, including interference that may cause undesired operation. This Class A digital apparatus complies with Canadian ICES-003. Cet appareil numérique de la classe A est conforme à la norme NMB-003 du Canada.

The information provided in this leaflet is subject to change without notice. Any guidance notes given with regards to complying with specific standards are provided as an aid to the installer and are interpretations of those standards only.

- **Bracket Mounting button**

The product is intended to be installed using via the mounting brackets found at either end of the rack PDU with accessories provided.

