






PLA-R Label Rewinder USER GUIDE



NOTE: In the interest of higher quality and value, Panduit products are continually being improved and updated. Consequently, pictures may vary from the enclosed product.

Agency Compliance and Approvals

	<p>CE CLASS B EN 55032: 2015/AC:2016 Class B EN 61000-3-2: 2014 EN 61000-3-3: 2013 EN 55035: 2017 EN 60950-1:2006 +A11:2009 +A1:2010 +A12:2011 +A2:2013 EN 62368-1: 2014+A11:2017</p>
	<p>FCC CFR Title 47 Part 15 Subpart B, Class B Digital Device, CISPR PUB. 22</p> <p>This device complies with Part 15 of the FCC Rules. Operation is subject to the following two conditions.</p> <ul style="list-style-type: none"> • This device may not cause harmful interference, and • This device must accept any interference received, including interference that may cause undesired operation.
<p>CAN ICES-3 (B)/ NMB-3(B)</p>	<p>ICES-003 Issue 6, Class B</p>
	<p>AS/NZS CISPR 32:2015 Class B</p>
	<p>VCCI-CSIPR 32:2016, Class B</p>
	<p>A급 기기 (업무용 방송통신기자재) Class B Equipment (Industrial Broadcasting & Communication Equipment) 이 기기는 업무용(A급) 전자파적합기기로서 판매자 또는 사용자는 이 점을 주의하시기 바라며, 가정외의 지역에서 사용하는 것을 목적으로 합니다. This equipment is Industrial (Class B) electromagnetic wave suitability equipment and seller or user should take notice of it, and this equipment is to be used in the places except for home.</p>

Specifications are subject to change without notice.

Emission Notes

This device complies with part 15 of the FCC Rules.

Operation is subject to the following two conditions: (1) this device may not cause harmful interference, and (2) this device must accept any interference received, including interference that may cause undesirable operation.

This equipment has been tested and found to comply with the limits for a Class B digital device, pursuant to part 15 of the FCC Rules. These limits are designed to provide reasonable protection against harmful interference in a residential installation.



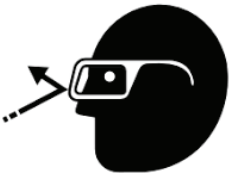





This equipment generates, uses and can radiate radio frequency energy, and, if not installed and used in accordance with the instructions, may cause harmful interference to radio communications. However, there is no guarantee that interference will not occur in a particular installation.

If this equipment does cause harmful interference to radio or television reception, which can be determined by turning the equipment off and on, the user is encouraged to try to correct the interference by one or more of the following measures:

- Reorient or relocate the receiving antenna.
- Increase the separation, between the equipment and receiver
- Connect the equipment into an outlet on a circuit different from that to which the receiver is connected.
- Consult the dealer or an experienced radio/TV technician for help.

Changes or modifications, not expressly approved by Panduit, can void the user's authority to operate the equipment.

Safety Instructions

	 <h3 style="text-align: center;">WARNING</h3> <ul style="list-style-type: none"> ■ Read and understand all instructions and safety information in this manual before operating or servicing this tool. Failure to follow the warnings and instructions may result in electric shock, fire and/or serious injury. Save all warnings and instructions for future reference.
	 <h3 style="text-align: center;">CAUTION</h3> <ul style="list-style-type: none"> ■ SAFETY GLASSES WITH SIDE SHIELDS MUST BE WORN AT ALL TIMES DURING THE OPERATION, MAINTENANCE OR ADJUSTMENT OF THE LABEL REWINDER.
	 <h3 style="text-align: center;">CAUTION</h3> <p>Electric Shock Hazard:</p> <ul style="list-style-type: none"> ■ Before you connect the equipment to the power outlet, please check the voltage of the power source. ■ Disconnect the equipment from the voltage of the power source to prevent possible transient over voltage damage. ■ Don't pour any liquid to the equipment to avoid electrical shock.
	 <h3 style="text-align: center;">CAUTION</h3> <ul style="list-style-type: none"> ■ Keep the equipment away from moisture and humidity.

Safety Instructions



CAUTION

- For safety reasons, **ONLY** qualified service personnel should open equipment.
- Don't repair or adjust energized equipment alone under any circumstances. Someone capable of providing first aid must always be present for your safety.
- Always obtain first aid or medical attention immediately after an injury. Never neglect an injury, no matter how slight it seems.
- Keep work area clean and well lit.
- **DO NOT OPERATE ELECTRONIC TOOLS IN EXPLOSIVE ATMOSPHERES, SUCH AS IN THE PRESENCE OF FLAMMABLE LIQUIDS, GASES OR DUST.**
- **KEEP CHILDREN AND BYSTANDERS AWAY WHILE OPERATING THE REWINDER.**
- Power tool plugs must match the outlet. Never modify the plug in any way. Do not use any adapter plugs.
- Only operate the Panduit Label Rewinder in a clean, dry, indoor environment
- **DO NOT** abuse the cord. Never use the cord for carrying, pulling, or unplugging the stationary tool. Keep cord away from heat, oil, sharp edges or moving parts.
- Prevent unintentional starting. Ensure the switch is in the off-position before connecting to power source and/or battery pack, picking up or carrying the tool.
- Dress properly. Do not wear loose clothing or jewelry. Keep your hair, clothing and gloves away from moving parts.
- Hearing protection is recommended to be worn during operation of tool.
- Do not use the tool if the switch does not turn it on and off.
- Device should be switched "Off" when adjusting, changing accessories, installing/removing material, or storing the device.
- Check for misalignment or binding of moving parts, broken parts, and any other condition that may affect the device operation. If damaged, have the device repaired before use.

Email:
Ga-techsupport@panduit.com

EU Website:
www.panduit.com/emea

EU Email:
emeatoolservicecenter@panduit.com

PANDUIT[®]

www.panduit.com

For Technical Support

USA & Canada: 1-866-871-4571

Latin America: +52-33-3777-6000

Europe: +31-546-580-452

Asia Pacific Region: 65-6379-6700

Japan: 81-3-6863-6060

Additional Support

Product Registration & Warranty
Path: Support/Product Registration
Path: Support/Download Center/
Limited Product Warranty

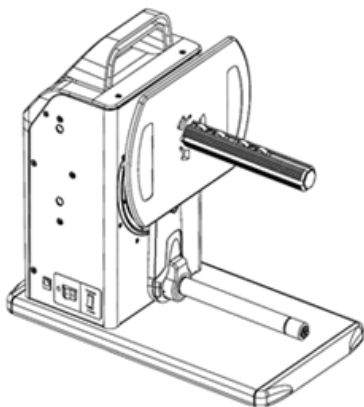
PLA-R USER GUIDE

TABLE OF CONTENTS

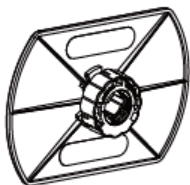
- 1 Box Contents
- 2 Getting to Know Your PLA-R Label Rewinder
Device Overview
- 3 Setting Up the Rewinder
Connection
Loading the Label
Install the Plate
Remove the Plate
Label Core in Different Sizes
Match Up the Empty Label Core and Core Adapter The Modes of Rewinding
- 4 What's the Status of the Rewinder
LED Indicator
When the Rewinder is Full
- 5 Troubleshooting
Sensing Error
Idle Load
VR(Speed Adjustment)
Appendix
Product Specifications

1 BOX CONTENTS

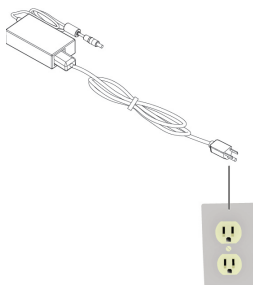
- PLA-R Label Rewinder



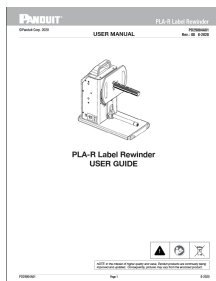
- Paper Stop Plate



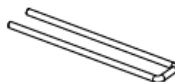
- Power Adapter



- User Guide



- Paper Clip



- 1.5" Adapter

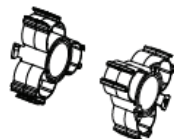
38 mm



40 mm



- 3" Adapter



- Web Guides (2)

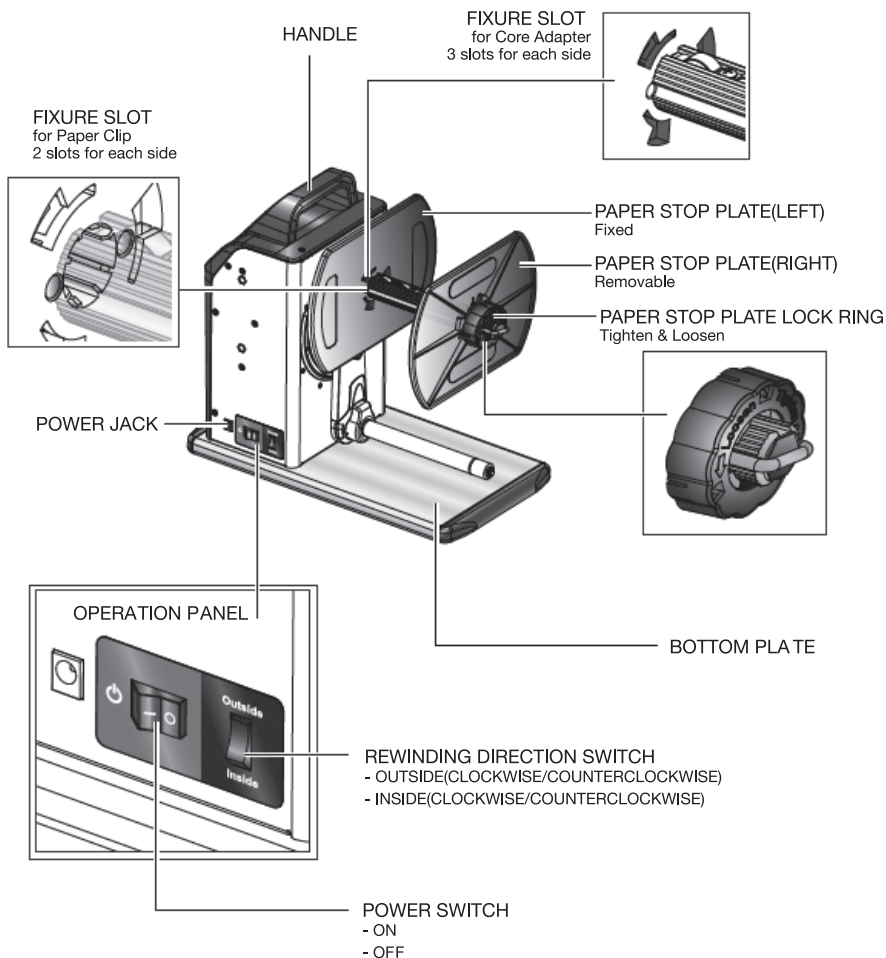


2

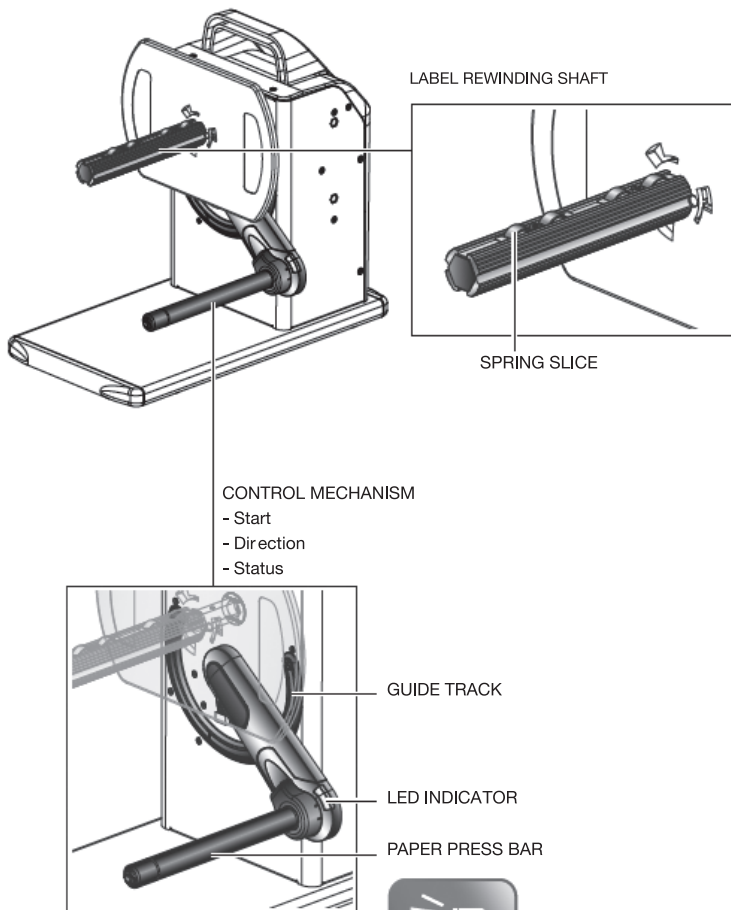
GETTING TO KNOW YOUR PLA-R REWINDER

Device Overview

• Front View

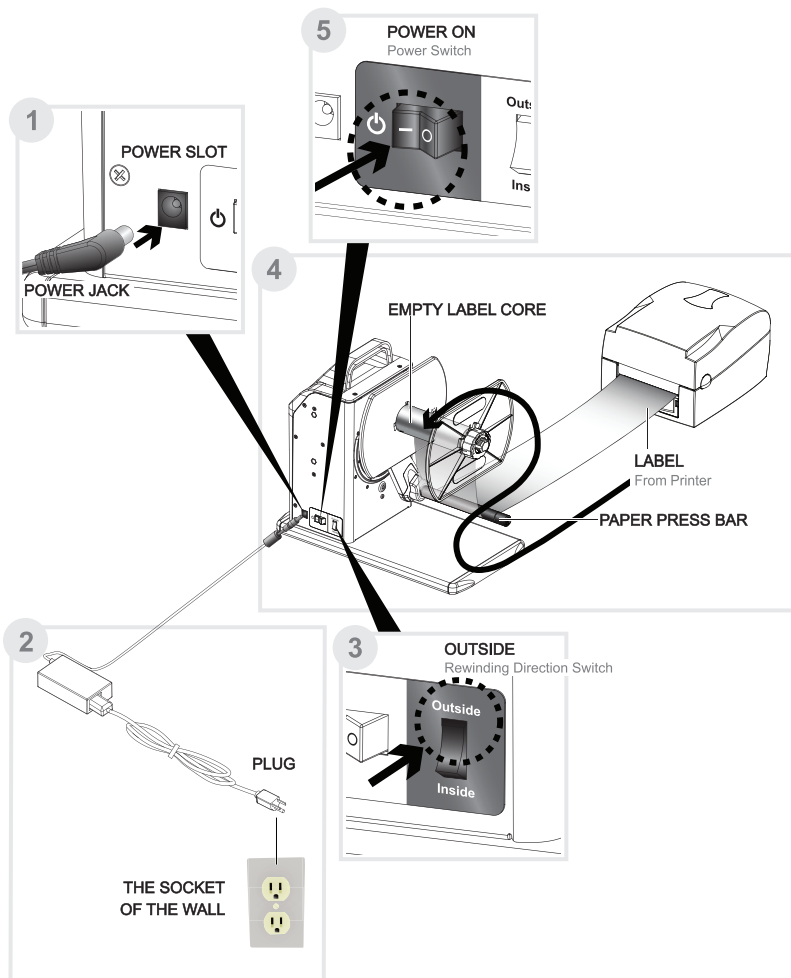


- Rear View

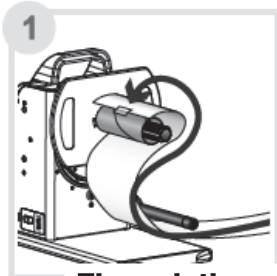


Be Clean

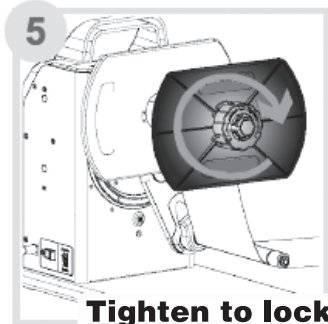
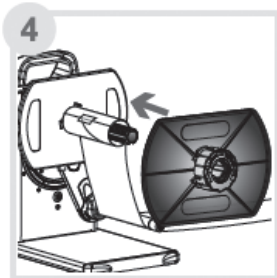
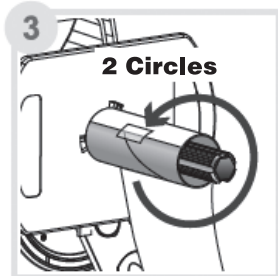
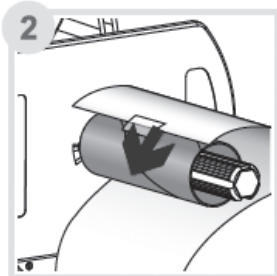
3 SETTING UP THE REWINDER Connection



Loading the Label Label Stock



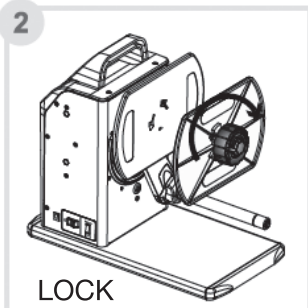
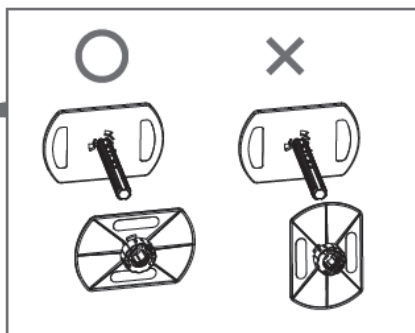
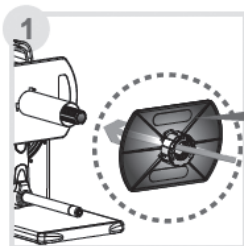
1
**Through the
paper press bar**



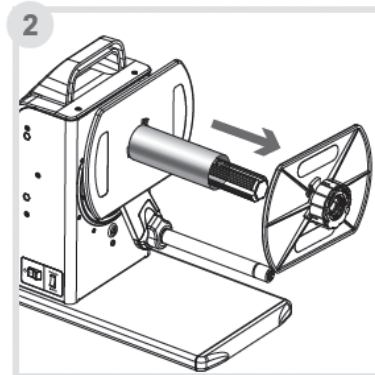
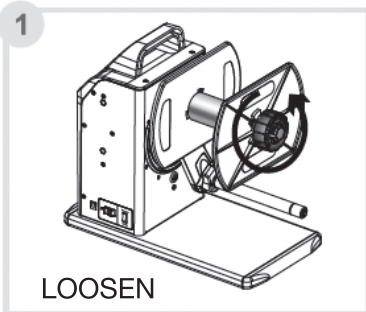
5
Tighten to lock

Install and Remove the Plate

Install



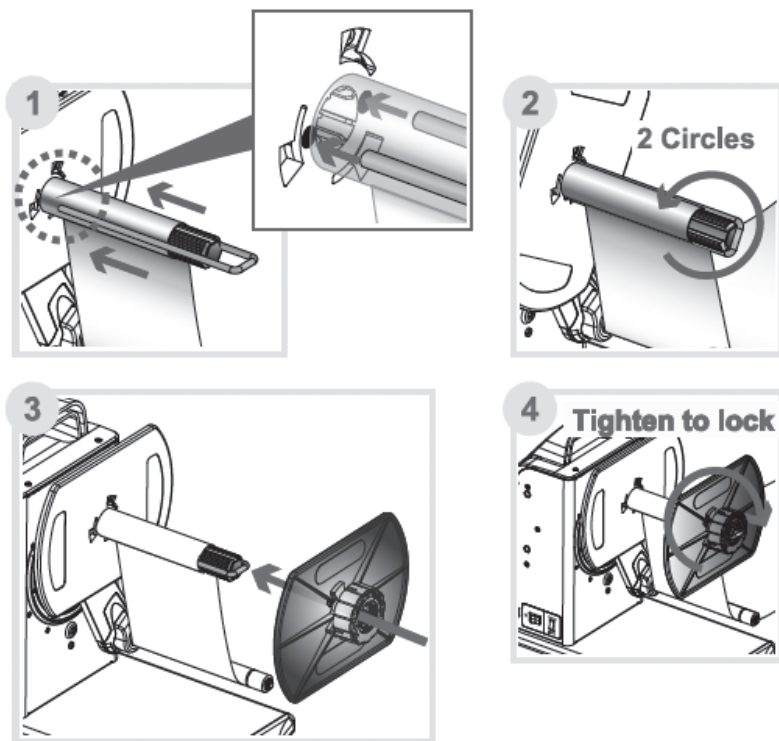
Remove



Label core in different sizes

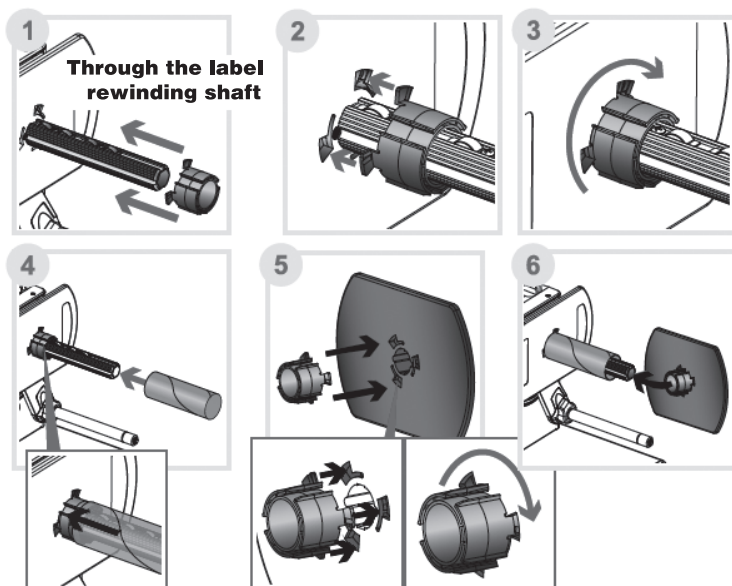
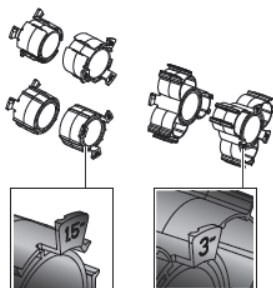
Paper Clip

for 1", to fix label in position.



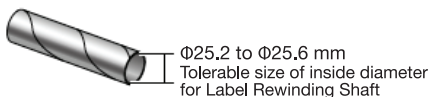
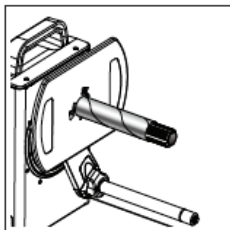
Core Adapter

for 1.5" and 3" Empty label core.

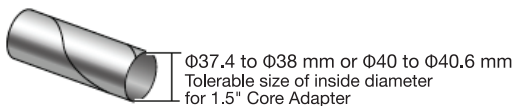
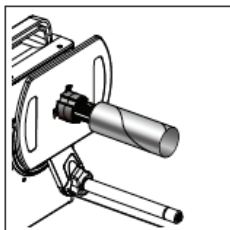


Match up the empty label core and core adapter

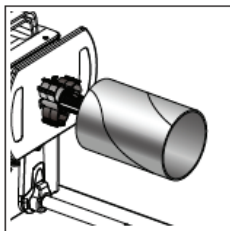
1" Empty Label Core
with Label rewinding shaft.



1.5" Empty Label Core
with 1.5" Core adapter.

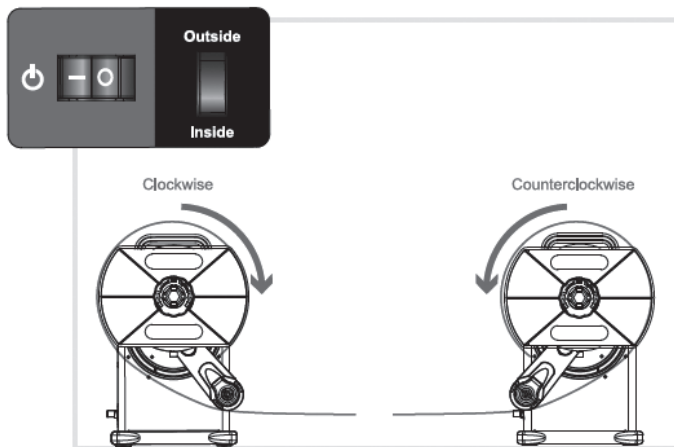
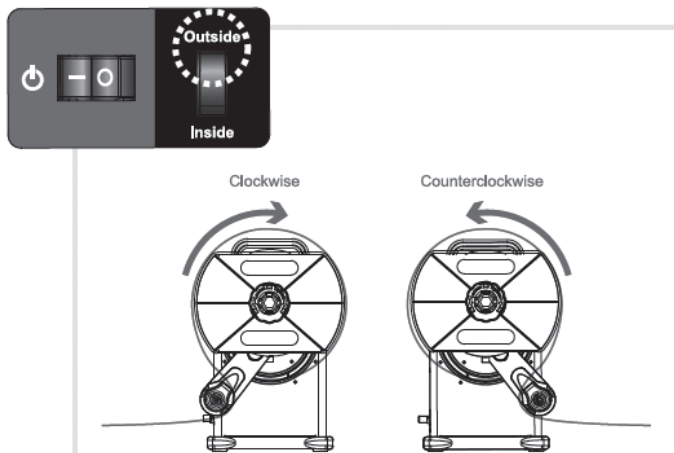


3" Empty Label Core
with 3" Core adapter.

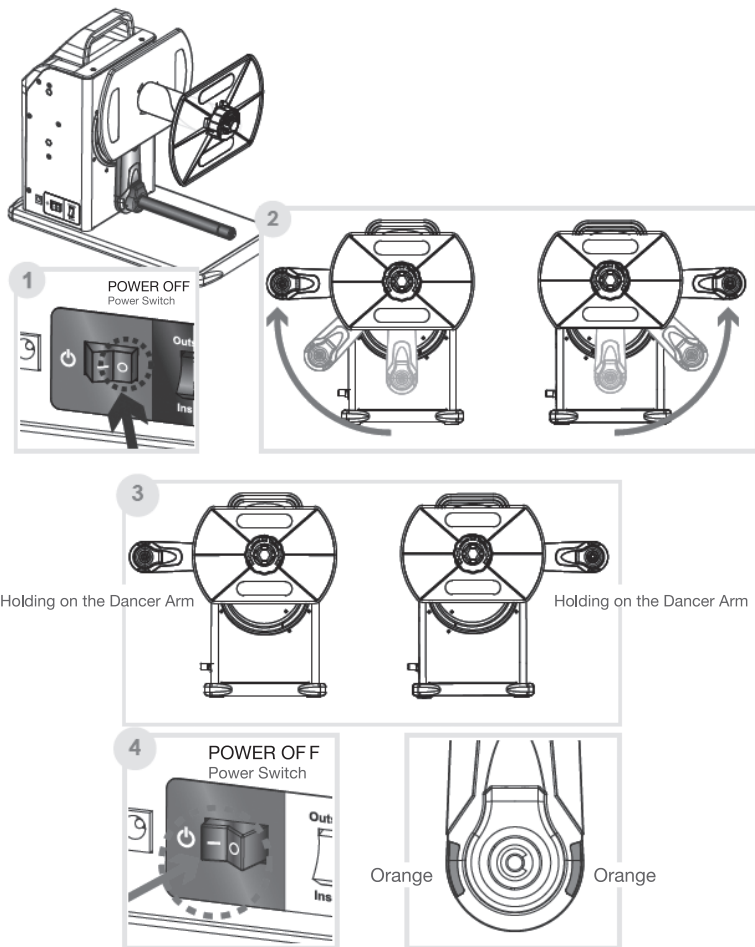


The Modes of Rewinding

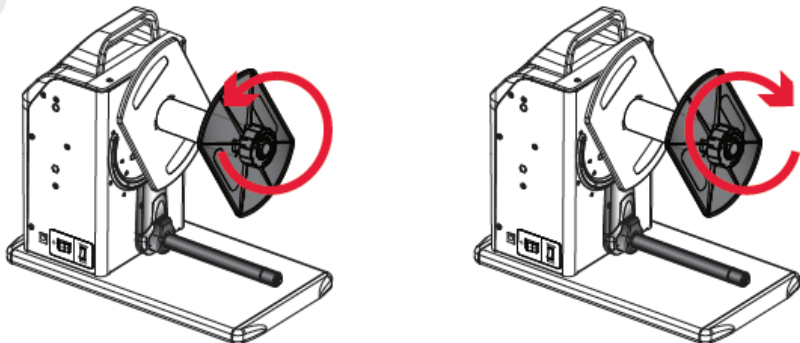
Outside



Motor Fixed Speed Mode



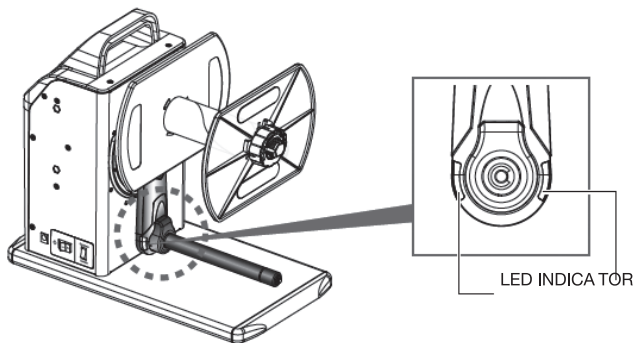
5

**To Set Up:**

1. Make sure the power is switched off.
2. Place the Dancer Arm at its highest point on either side of the rewinder.
3. Turn on the power while holding on the Dancer Arm.
Once the power is on, an orange light should light up and that will bring the rewinder into the "Motor Fixed Speed Mode."
4. Release the Dancer Arm and the rewinder will be rewinding at a fix speed.
5. To stop, switch off the power.

4

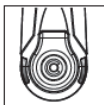
WHAT'S THE STATUS OF THE REWINDER LED Indicator



STATUS

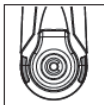
LED INDICATOR

Power ON



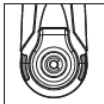
Flash

Outside



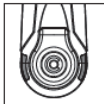
Blue

Inside

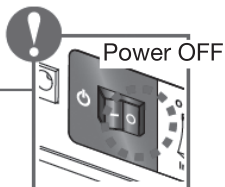


Green

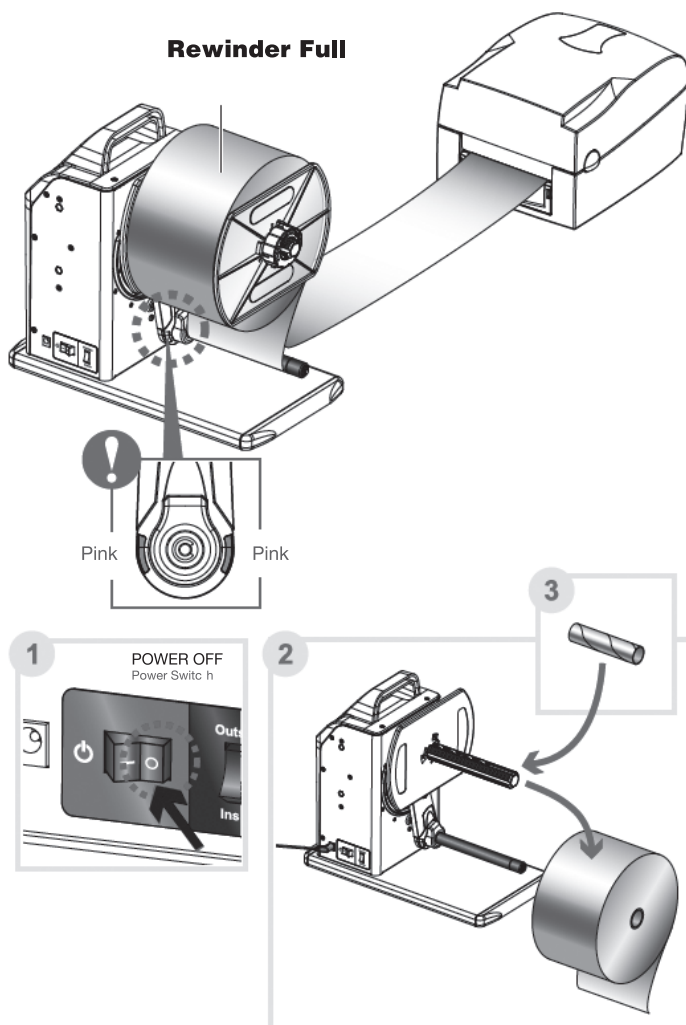
Error / Alert



Pink

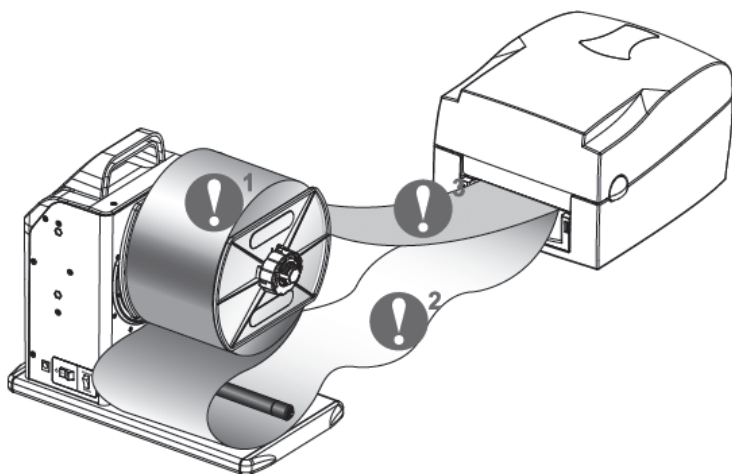


When the Rewinder is Full



5 TROUBLESHOOTING

Error/Alert



Error/Alert

Description



Paper Full
refer to “When The Rewinder is Full” on Chapter 4

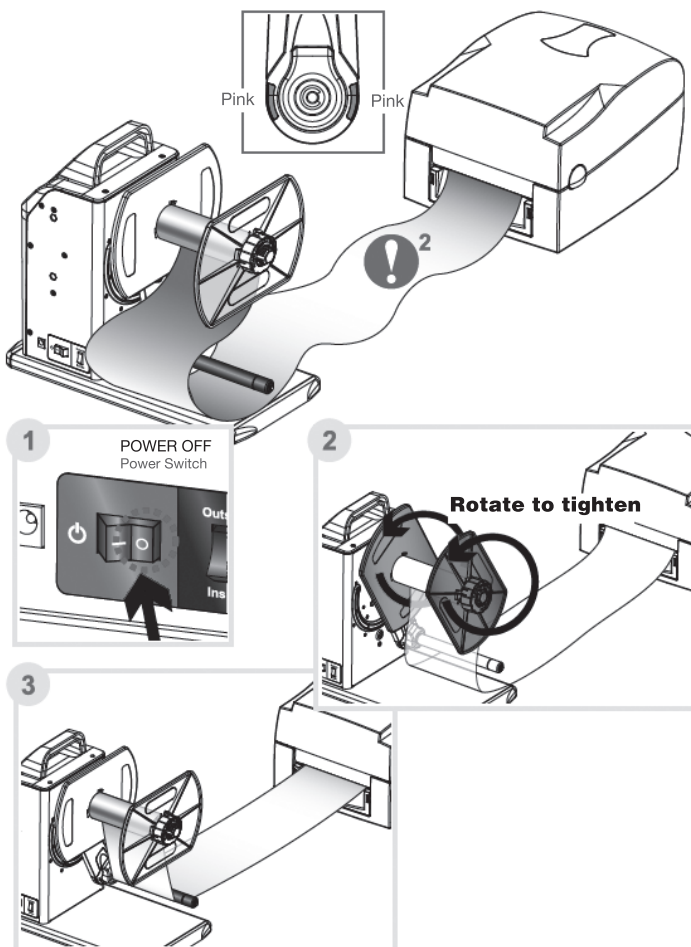


Sensing Error
refer to “Sensing Error” on Chapter 5

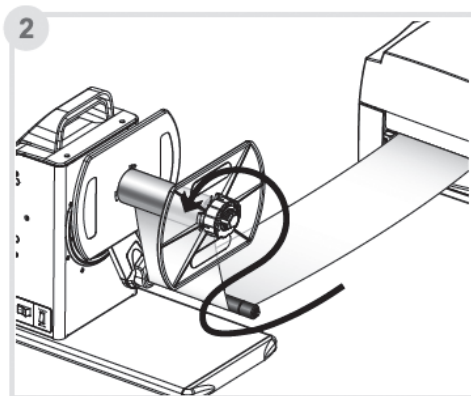
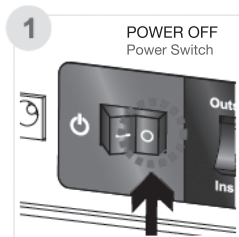
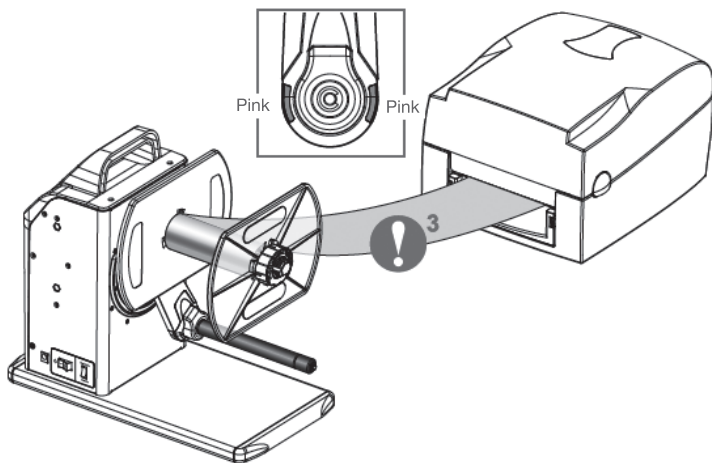


Idle Load
refer to “Idle Load” on Chapter 5

! 2 Sensing Error

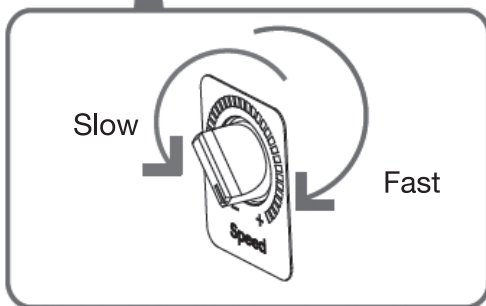
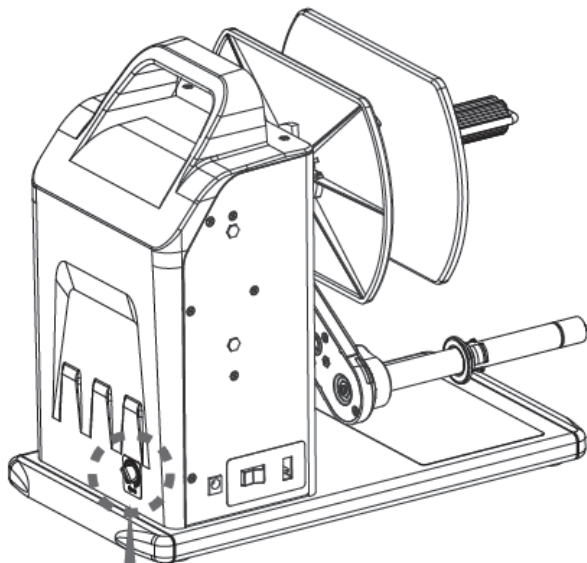


3 Idle Load



PLA-R USER GUIDE

VR(Speed Adjustment)



PLA-R USER GUIDE

APPENDIX

PRODUCT SPECIFICATIONS

Model	PLA-R Label Rewinder	
Paper width	4.72" (Max)	
Rewind Speed	2~14 IPS	
Label Roll	8" (Max.)	
Core Roll	Coreless 1" (25.2 to 25.6 mm) 1.5" (37.4 to 38 mm) 1.5" (40 to 40.6 mm) 3" (76 to 76.6 mm)	
Label Roll Weight	5 Kg	
Rewinding	Label Inside/Outside	
Switches	Rewind	
Motor	Hybrid Motor	
Power	100~240VAC 24W, 24V Adapter	
Environment	Operating Temp.	41°F to 104°F (5°C to 40°C)
	Storage Temp.	-4°F to 122°F (-20°C to 60°C)
Humidity	10-85% (non-condensing RH)	
Size(H*W*D)	303 mm x 180 mm x 349 mm	
Agency Approvals	CE, FCC Class A	
Weight	5 Kg (11 lb)	