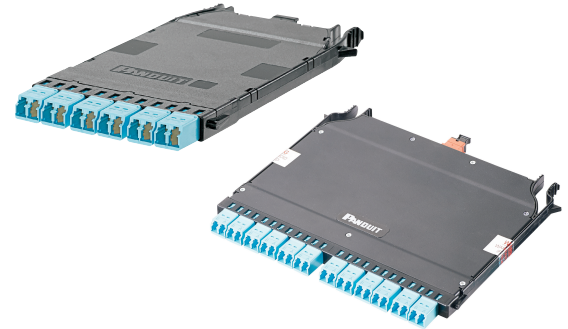


## technical information

HD Flex™ Fiber Optic Cassettes offer a wide array of deployment options to support both Ethernet and Fibre Channel networks. Cassette types are available with 1 MPO to 6 duplex LC connectors, (6-port) 1 MPO to 12 duplex LC connectors (12-port), 1 MPO to 4 duplex LC connectors for breaking out parallel optics applications (40G into four 10G channels), and 6-port duplex LC cassettes for splice terminations. Also 6-port MPO and duplex LC fiber adapter panels (FAP) are available. All LC connectors contain integral shutters to help prevent contamination.



## application

Allows system designers to tailor configuration, reach and breakout construction to application requirements; to minimize waste, optimize cable management, speed deployment, and improve flexibility and manageability for lower installation costs.

## construction

### Fiber types:

Multimode: OM3 50/125µm  
OM4 50/125µm

Singlemode: OS2 9/125µm

### Front connectivity:

Multimode: LC Duplex Adapters (Shuttered)  
MPO Adapters (Key-up to Key-up,  
Key-up to Key-down)

Singlemode: LC Duplex Adapters (Shuttered)  
MPO Adapters (Key-up to Key-down)

### Rear connectivity:

Multimode: MPO Adapter with MPO male connector  
MPO Adapters (Key-up to Key-up,  
Key-up to Key-down)  
12-fiber for splicing (ribbon, 250µm)

Singlemode: MPO Adapter with MPO male connector  
MPO Adapters (Key-up to Key-down)  
12-fiber for splicing (ribbon, 250µm)

## performance properties

### Insertion loss:

Multimode:  
Optimized Cassette and Breakout Cassette: 0.5 dB  
Ultra Low Loss Cassette and Breakout Cassette: 0.35 dB  
Optimized Loss Splice Cassette: 0.15 dB plus splice loss  
Ultra Low Loss Splice Cassette: 0.10 dB plus splice loss

Singlemode:  
Standard Cassette and Breakout Cassette: 0.75 dB  
Standard Loss Splice Cassette: 0.35 dB plus splice loss

### Return loss:

Per fiber: >26dB (OM3/OM4)  
>55dB (OS1/OS2)

### Connector durability:

Connectors meet TIA/EIA-568C.3 A.4.9 Durability:  
500 mating cycles

**Fiber count:** 8, 12 and 24

**Split sleeve material:** Zirconia ceramic

## environmental properties

**Operating temperature:** 0°C to +70°C  
(32°F to 158°F)

**Storage and shipping temperature:** -40°C to +70°C  
(-40°F to 158°F)

**Installation temperature:** 0°C to +60°C  
(32°F to 140°F)

## standards

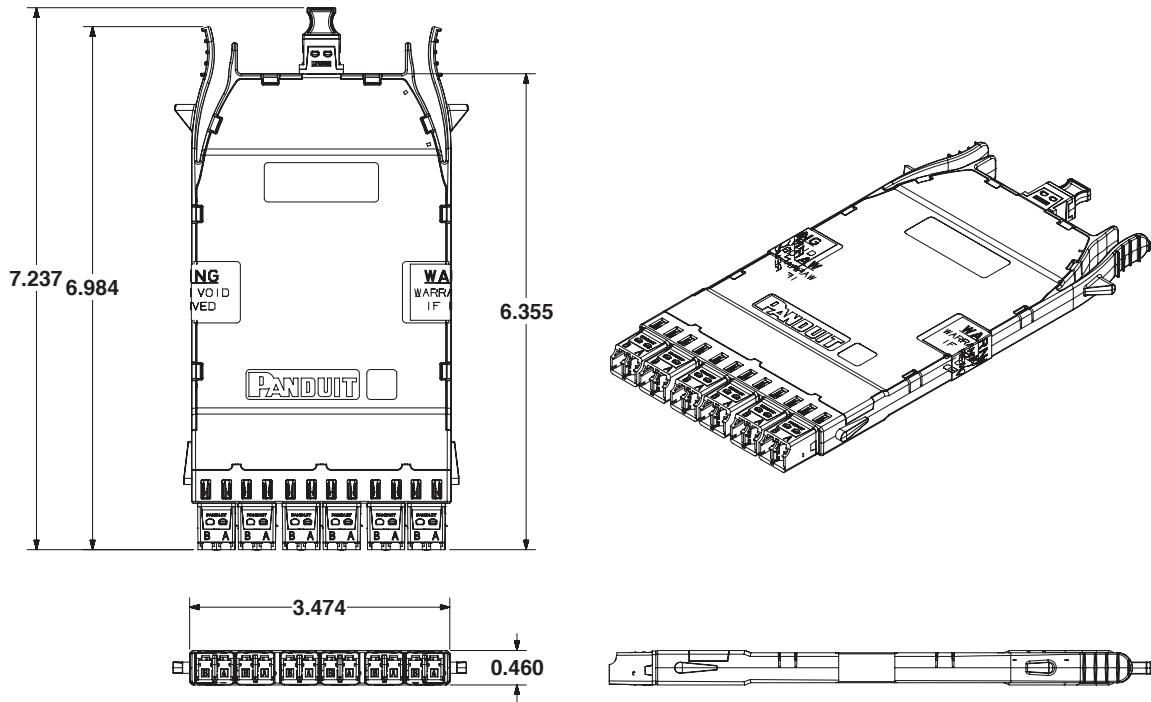
Meets or exceeds: ISO/IEC 11801, ANSI/TIA-568-C.3,  
TIA-604-5 (FOCIS-5), TIA-604-10 (FOCIS-10),  
RoHS Compliant

# HD Flex™ Fiber Optic Cassettes

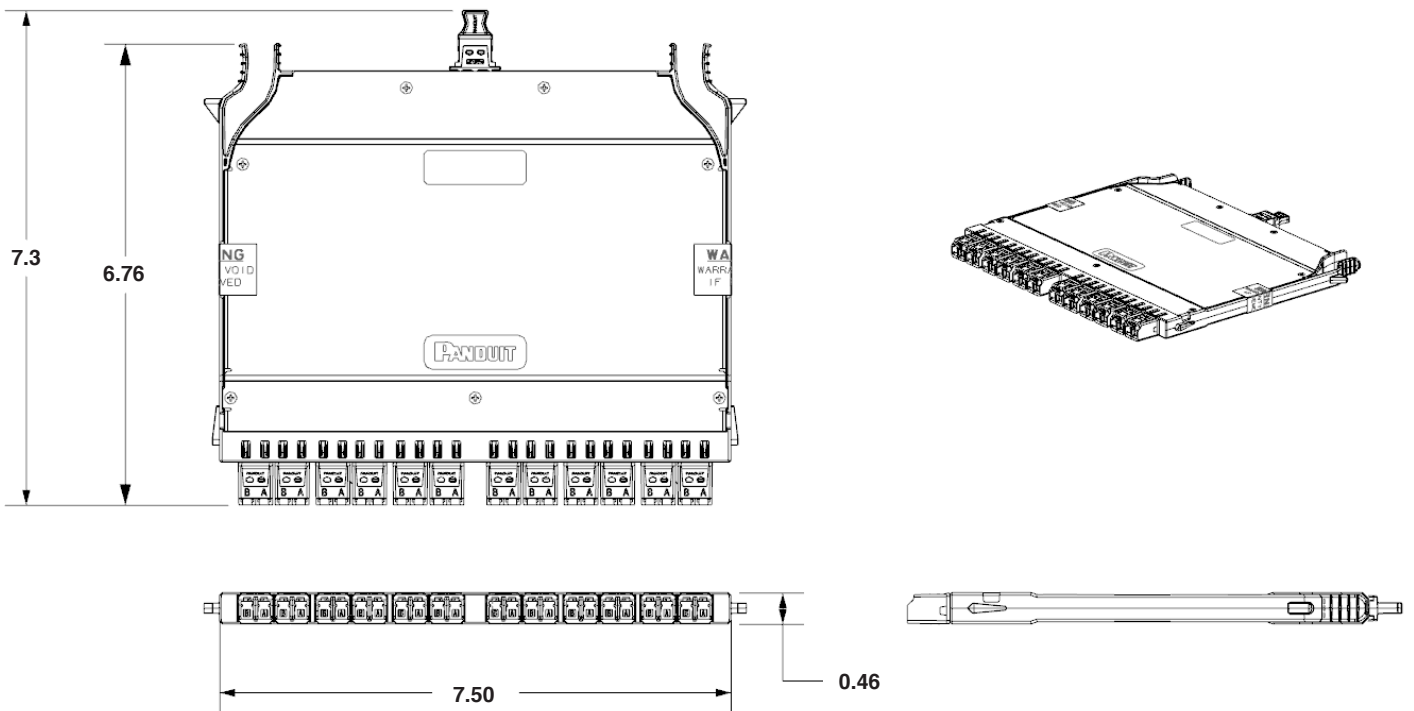
Description	Part Number		
	6-port, 12-fiber (1 MPO)	12-port, 24-fiber (2 MPOs)	12-port, 24-fiber (1 MPO)
<b>HD Flex™ Cassettes - Duplex LC</b>			
<b>OM4 Fiber/Optimized Loss (0.50 dB)</b>			
Method A Polarity	FHCZO-12-10AS	FHCZO-24-10AS	FHCZO-24F-10AS
Modified Method A Polarity (Pair flipped)	FHCZO-12-10AF	FHCZO-24-10AF	FHCZO-24F-10AF
Method B Polarity	FHCZO-12-10BN	FHCZO-24-10BN	–
<b>OM4 Fiber/Ultra Low Loss (0.35 dB)</b>			
Method A Polarity	FHCZA-12-10AS	FHCZA-24-10AS	–
Modified Method A Polarity (Pair flipped)	FHCZA-12-10AF	FHCZA-24-10AF	–
Method B Polarity	FHCZA-12-10BN	FHCZA-24-10BN	–
<b>OM3 Fiber/Optimized Loss (0.50 dB)</b>			
Method A Polarity	FHCXO-12-10AS	FHCXO-24-10AS	FHCXO-24F-10AS
Modified Method A Polarity (Pair flipped)	FHCXO-12-10AF	FHCXO-24-10AF	FHCXO-24F-10AF
Method B Polarity	FHCXO-12-10BN	FHCXO-24-10BN	–
<b>OS2 Fiber/Standard Loss (0.75 dB)</b>			
Method A Polarity	FHC9N-12-10AS	FHC9N-24-10AS	FHC9N-24F-10AS
Modified Method A Polarity (Pair flipped)	FHC9N-12-10AF	FHC9N-24-10AF	FHC9N-24F-10AF
<b>HD Flex™ LC Splice Cassettes</b>			
<b>OM4 Fiber/Optimized Loss (0.15 dB)</b>			
Pre-loaded with 12 pigtails (250µm) and 12 splice sleeves	FHSZO-12-10P		
Pre-loaded with 12-fiber ribbon pigtail and 1 ribbon fiber splice sleeve	FHSZO-12-10R		
<b>OM4 Fiber/Ultra Low Loss (0.10 dB)</b>			
Pre-loaded with 12 pigtails (250µm) and 12 splice sleeves	FHSZA-12-10P		
Pre-loaded with 12-fiber ribbon pigtail and 1 ribbon fiber splice sleeve	FHSZA-12-10R		
<b>OM3 Fiber/Optimized Loss (0.15 dB)</b>			
Pre-loaded with 12 pigtails (250µm) and 12 splice sleeves	FHSXO-12-10P		
Pre-loaded with 12-fiber ribbon pigtail and 1 ribbon fiber splice sleeve	FHSXO-12-10R		
<b>OS2 Fiber/Standard Loss (0.35 dB)</b>			
Pre-loaded with 12 pigtails (250µm) and 12 splice sleeves	FHS9N-12-10P		
Pre-loaded with 12-fiber ribbon pigtail and 1 ribbon fiber splice sleeve	FHS9N-12-10R		
<b>HD Flex™ LC and MPO Fiber Adapter Panels</b>			
<b>LC Fiber Adapter Panels</b>			
6 LC Duplex Multimode Adapters in Aqua with Zirconia sleeves	FHSXN-12-10N		
6 LC Duplex Singlemode Adapters in Blue with Zirconia sleeves	FHS9N-12-10N		
<b>MPO Fiber Adapter Panels</b>			
6 MPO Type A Adapters (Key-Up to Key-Down) in Black	FHMP-6-ABL		
6 MPO Type B Adapters (Key-Up to Key-Up) in Charcoal Gray	FHMP-6-BCG		
6 MPO Type A Adapters (Key-Up to Key-Down) in Red	FHMP-6-ARD		
<b>HD Flex™ Breakout Cassettes</b>			
	<b>6-port, 8-fiber (1 MPO)</b>	<b>12-port, 24-fiber (3 MPO)</b>	<b>12-port, 24-fiber (1 MPO)</b>
<b>OM4 Fiber/Optimized Loss (0.50 dB)</b>			
Method B Polarity	FHC3ZO-08-10BN	FHC3ZO-24-10BN	FHC3ZO-24F-10BN
<b>OM4 Fiber/Ultra Low Loss (0.35 dB)</b>			
Method B Polarity	FHC3ZA-08-10BN	FHC3ZA-24-10BN	–
<b>OM3 Fiber/Optimized Loss (0.50 dB)</b>			
Method B Polarity	FHC3XO-08-10BN	FHC3XO-24-10BN	FHC3XO-24F-10BN
<b>OS2 Fiber/Standard Loss (0.75 dB)</b>			
Method B Polarity	FHC39N-08-10AN	FHC39N-24-10AN	FHC39N-24F-10AN

# HD Flex™ Fiber Optic Cassettes

## 6-port Duplex LC to MPO Cassette

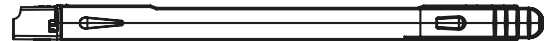
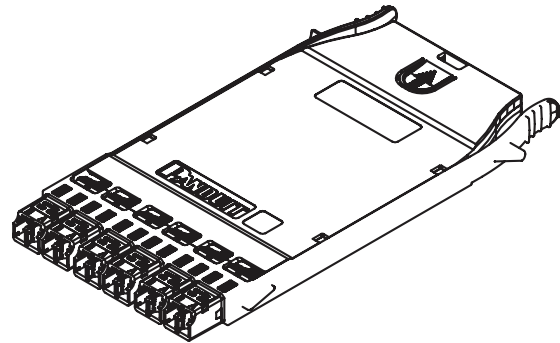
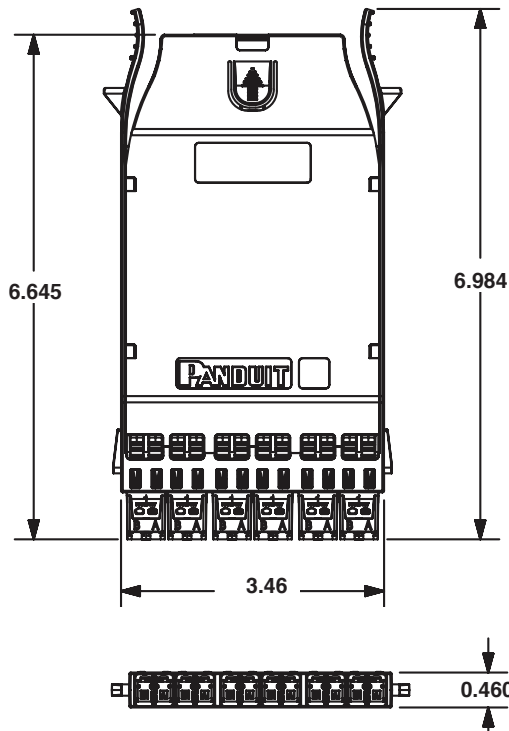


## 12-port Duplex LC to MPO Cassette

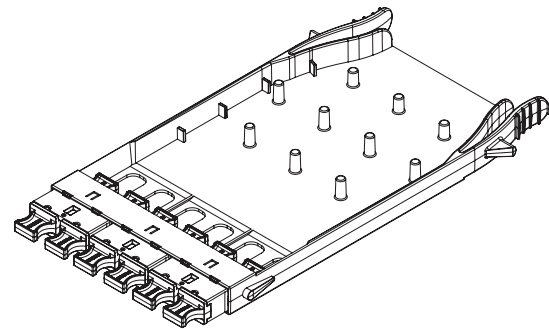
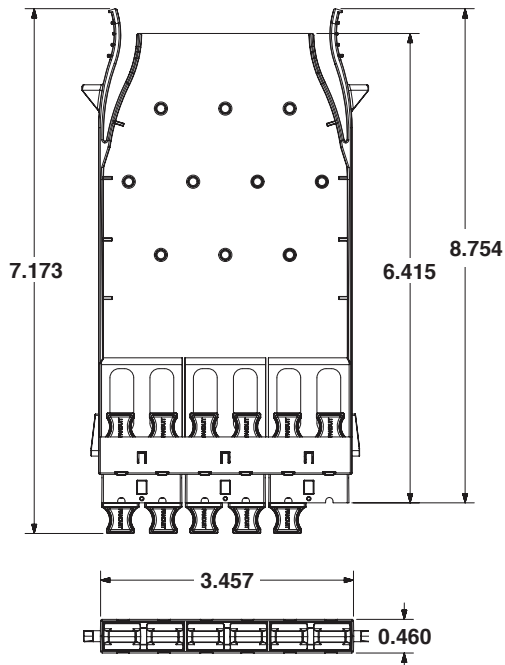


# HD Flex™ Fiber Optic Cassettes

## 6-port Duplex LC Splice Cassette/Fiber Adapter Panel



## 6-port MPO Fiber Adapter Panel



### WORLDWIDE SUBSIDIARIES AND SALES OFFICES

PANDUIT CANADA  
Markham, Ontario  
cs-cdn@panduit.com  
Phone: 800.777.3300

PANDUIT EUROPE LTD.  
London, UK  
cs-emea@panduit.com  
Phone: 44.20.8601.7200

PANDUIT SINGAPORE PTE. LTD.  
Republic of Singapore  
cs-ap@panduit.com  
Phone: 65.6305.7575

PANDUIT JAPAN  
Tokyo, Japan  
cs-japan@panduit.com  
Phone: 81.3.6863.6000

PANDUIT LATIN AMERICA  
Guadalajara, Mexico  
cs-la@panduit.com  
Phone: 52.33.3777.6000

PANDUIT AUSTRALIA PTY. LTD.  
Victoria, Australia  
cs-aus@panduit.com  
Phone: 61.3.9794.9020

For a copy of Panduit product warranties, log on to [www.panduit.com/warranty](http://www.panduit.com/warranty)

For more information

Visit us at [www.panduit.com](http://www.panduit.com)

Contact Customer Service by email: [cs@panduit.com](mailto:cs@panduit.com)  
or by phone: 800-777-3300

**PANDUIT**®

©2017 Panduit Corp.  
ALL RIGHTS RESERVED.  
FBSP96--WW-ENG  
2/2017