

Front Access 4-to-1 Breakout Cassette

specifications

MTP* Front Access Fiber Optic Cassettes shall consist of pre-terminated and tested MPO and LC adapters for quick and easy deployment in server rack applications, where access to the rear of the cassette may be challenging. These 4-to-1 conversion cassettes are designed to breakout an 8-fiber MPO into four (4) discrete channels using duplex LC connectors. The cassettes comply with all multimode and singlemode requirements and are wired Universal for 4-to-1 breakouts. MTP Fiber Optic Cassettes are available with a standard channel insertion loss of 0.75dB max and an optimized loss of 0.5dB max. Adapter housing colors follow TIA/EIA-568-C.3 suggested color identification scheme.



applications

Application areas include server cabinets, or other areas of the data center when access to the rear of the cassette (MPO connector) may be challenged.

construction

Fiber count:	8 and 16
Fiber types:	Multimode: OM4 50/125µm Singlemode: OS1/OS2 9/125µm
Front connectivity:	LC Duplex: Multimode with PC Polish Singlemode with UPC Polish MTP adapter(s) with Male ferrules (pins): Multimode with PC Polish Singlemode with APC Polish
Split sleeve material (SC or LC adapters):	Zirconia ceramic
Rear MTP connectivity:	Not applicable

*MTP is a registered trademark of US Conec Ltd.

standards

Connectivity meets or exceeds TIA/EIA-568-C.3 performance requirements. Supports IEEE 802.3ae and ANSI T11.2 (Fibre Channel) channel and link specifications. Compliant with ROHS 2002/95/EC.

environmental properties

Operating temperature:	0°C to 70°C (32°F to 158°F)
Storage and shipping temperature:	-40°C to 75°C (-40°F to 167°F)

performance properties

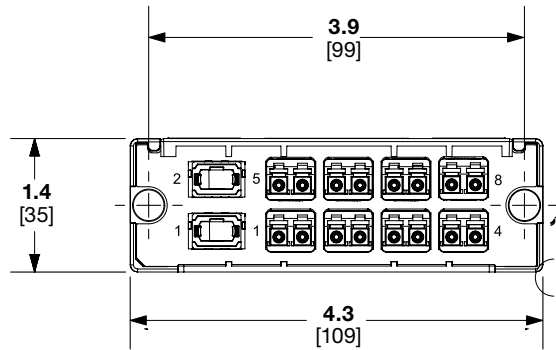
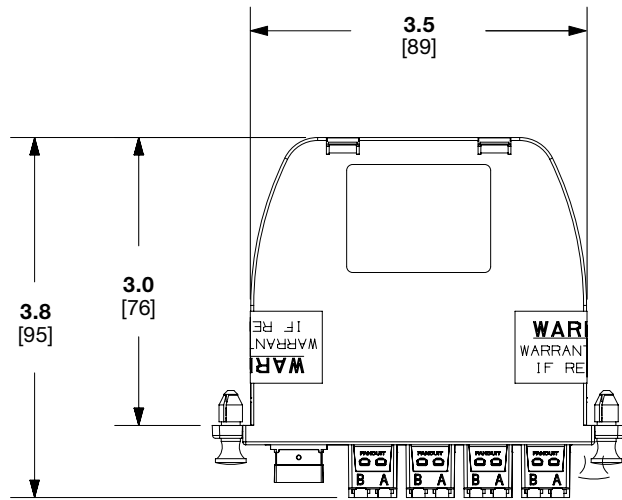
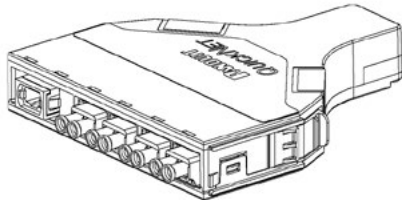
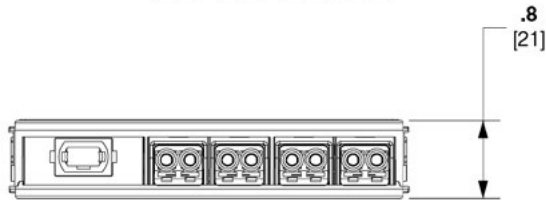
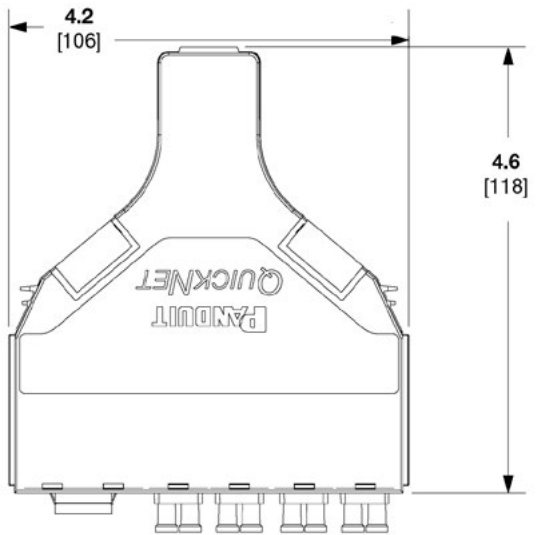
Insertion loss (Link loss):	Ultra Low Loss (Multimode only) (per channel): 0.35dB max. Optimized Loss (Multimode only) (per channel): 0.5dB max. Standard Loss (Singlemode only) (per channel): 0.75dB max.
Return loss:	Per channel: >26dB (OM4) 55dB (OS2)

ordering information

Part Number	Form Factor	Fiber Type	LC Connectivity	MPO Connectivity	Fiber Count	Polarity
FCF3ZO-16-10U2	OptiCom [®]	OM4	8 LC Duplex	2 MPO	16	Universal (U2)4 - 1 Breakout (uses B connectivity)
FCF39N-16-10U2		OS2				
FQF3ZO-08-10U2	QuickNet [®] SFQ	OM4	4 LC Duplex	1 MPO	8	
FQF39N-08-10U2		OS2				

Front Access 4-to-1 Breakout Cassette

front access 4-to-1 breakout cassette



SFQ Method U2 8f Cassette

LC Port Number	1		2		3		4	
	A	B	A	B	A	B	A	B
MPO* Fiber Position	1	12	2	11	3	10	4	9

Opticom Method U2 16f Cassette

LC Port Number	MPO #1				MPO #2									
	1	2	3	4	1	2	3	4						
MPO* Fiber Position	B	A	B	A	B	A	B	A	B	A	B	A	B	A

* Key Up/Key Down Adapter (Black Color) - Requires Method B MPO Connectivity

Dimensions are in inches. [Dimensions in brackets are metric].

WORLDWIDE SUBSIDIARIES AND SALES OFFICES

PANDUIT US/CANADA
Phone: 800.777.3300

PANDUIT EUROPE LTD.
London, UK
Phone: 44.20.8601.7200

PANDUIT SINGAPORE PTE. LTD.
Republic of Singapore
Phone: 65.6305.7575

PANDUIT JAPAN
Tokyo, Japan
Phone: 81.3.6863.6000

PANDUIT LATIN AMERICA
Guadalajara, Mexico
Phone: 52.33.3777.6000

PANDUIT AUSTRALIA PTY. LTD.
Victoria, Australia
Phone: 61.3.9794.9020

For a copy of Panduit product warranties, log on to www.panduit.com/warranty

For more information

Visit us at www.panduit.com
Contact Customer Service by email: cs@panduit.com
or by phone: 800.777.3300



© 2023 Panduit Corp.
ALL RIGHTS RESERVED.
FBSP229-WW-ENG
10/2023