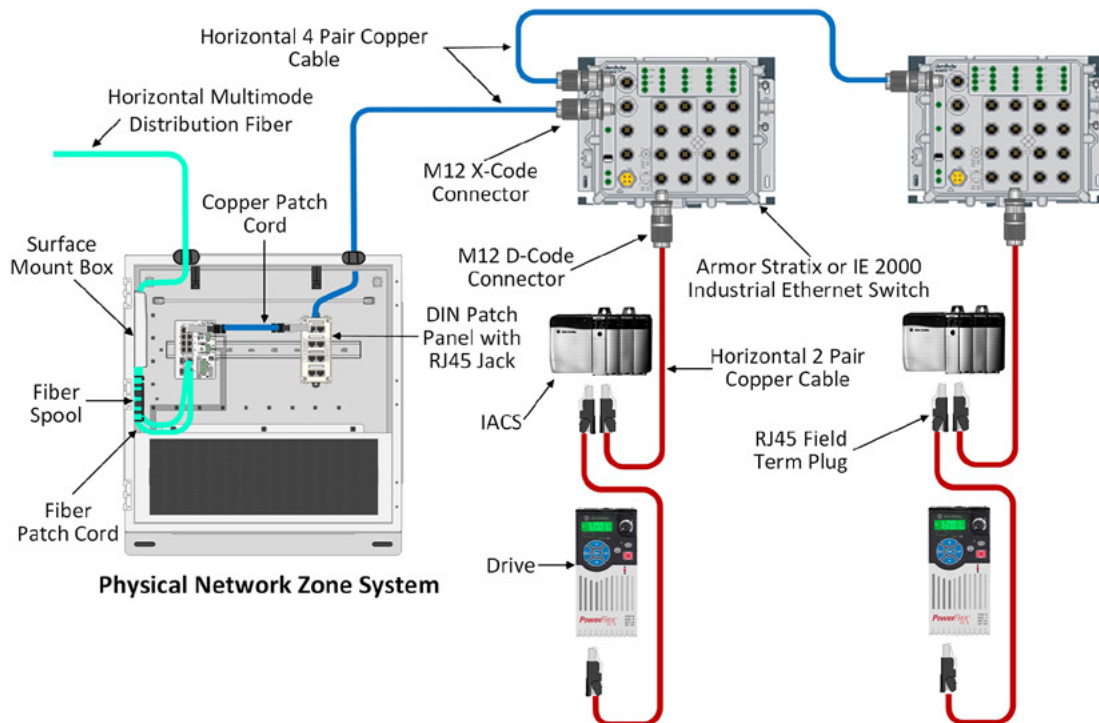


Physical Linear On-Machine Connection



Physical Linear On-Machine Connection