

specifications

The fiber cassette rear cable manager organizes MTP* interconnect cable and traditional fiber cable for SFQ series MTP* fiber optic cassettes, HDQ series high density fiber optic cassettes, and pre-terminated cable assemblies with cassettes. The cassette rear cable manager mounts to the rear of a standard EIA 19" wide telecommunications rack and provides a secure location to support a maximum of sixteen MTP* interconnect cable assemblies. Interconnect cables and traditional fiber cables shall be secured with fiber management spools.



technical information

Dimensions:	1.40"H x 19.0"W x 9.56"D (35.7 x 482.6 x 242.9mm)
Mounting options:	Mounts to standard EIA 19" racks
Packaging:	Three FMS1 fiber slack management spools, 10-32 screws, and attachment brackets included; #12-24 and M6 rack mounting screws included

key features and benefits

Rear mounting design	Provides easy access to fiber cable; rear mounting design conserves data center floor space by reducing or eliminating the need for horizontal cable managers; occupies less than 1 RU space
Fiber management spools	Improved fiber protection, ease of maintenance, and enhanced cable management; manages rear fiber cable slack and provides for fiber cable routing guide; fiber management spools organize cables for optimum finished appearance
Modularity	Offers flexibility by accommodating QuickNet™ MTP* Interconnect Cable and traditional fiber cable; for use with QuickNet™ SFQ Series MTP* Fiber Optic Cassettes, QuickNet™ HDQ Series High Density Fiber Optic Cassettes, and QuickNet™ Pre-Terminated Cable Assemblies with Cassettes

applications

The SFQ cassette rear cable manager is used to support and manage MTP* Interconnect Cable and traditional fiber cable. It provides strain relief, bend radius control, superior aesthetics, and improved organization and routing of cables. The QuickNet™ Cassette Rear Cable Manager is less than 1 RU high, and is designed to support MTP* Interconnect Cable from up to sixteen QuickNet™ SFQ

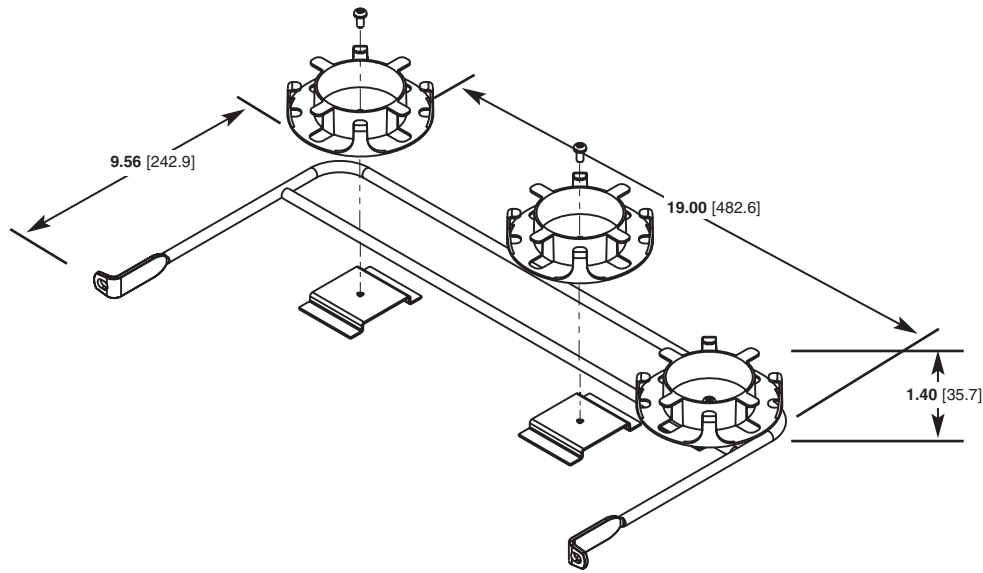
Cassettes or up to two QuickNet™ HDQ Cassettes installed in 2 RU space. The QuickNet™ Cassette Rear Cable Manager installs on the rear of a standard EIA 19" rack. QuickNet™ Cassette Rear Cable Managers contribute to network integrity and reduce time and cost associated with cable routing and maintenance.

QuickNet™ Cassette Rear Cable Manager	
Fiber cassette rear cable manager:	FQCRCM
QuickNet™ HDQ Series High Density Fiber Optic Cassettes – B-Type Port Labeling	
10Gig™	
50/125µm OM4:	F1RBZN-9608-10^
Optimized 10Gig™	
50/125µm OM4:	F1RBZO-9608-10^
10Gig™	
50/125µm OM3:	F1RBXN-9608-10^
Optimized 10Gig™	
50/125µm OM3:	F1RBXO-9608-10^
QuickNet™ HDQ Series High Density Fiber Optic Cassettes – C-Type Port Labeling	
10Gig™	
50/125µm OM4:	F1RCZN-9612-10^
Optimized 10Gig™	
50/125µm OM4:	F1RCZO-9612-10^
10Gig™	
50/125µm OM3:	F1RCXN-9612-10^
Optimized 10Gig™	
50/125µm OM3:	F1RCXO-9612-10^
QuickNet™ HDQ Series Angled High Density Fiber Optic Cassettes – S-Type Port Labeling	
10Gig™	
50/125µm OM4:	F1ASZN-9612-10^
Optimized 10Gig™	
50/125µm OM4:	F1ASZO-9612-10^
10Gig™	
50/125µm OM3:	F1ASXN-9612-10^
Optimized 10Gig™	
50/125µm OM3:	F1ASXO-9612-10^
QuickNet™ MTP* Trunk Cable Assemblies	
12-fiber:	FSPX1255F^A
24-fiber:	FSPX2455F^A
48-fiber:	FSPX4855F^A
QuickNet™ MTP* Interconnect Cable Assemblies (Female MTP* to Female MTP*)	
12-fiber:	FX12D5-5M^Y
QuickNet™ Cassette MTP* Cleaning Tool	
For all MTP* connectors:	FIBCCCT
Reel Type MTP* Connector Cleaning Tools	
Female MTPs*:	FMTPFCT
Male MTPs*:	FMTPMFCT
Reel refill (qty. 6):	FMTPRR6

^Use S for Standard Polarity and F for Flipped Polarity.
^^100, 150, and 200 ft. are standard lengths; additional lengths are available. Contact Customer Service for actual lead times.
*MTP is a registered trademark of Conec Ltd.

QuickNet™ Cassette Rear Cable Manager

Fiber Cassette Rear Cable Manager Detail



related products



**QuickNet™ SFQ Series MTP*
Fiber Optic Cassettes**



**QuickNet™ HDQ Series High
Density Fiber Optic Cassettes**



**QuickNet™ HDQ Series Angled High
Density Fiber Optic Cassettes**



**QuickNet™ MTP*
Trunk Cable Assemblies**



**QuickNet™ MTP*
Interconnect Cable Assemblies**



**QuickNet™ Pre-terminated
Cable Assemblies**

Dimensions are in inches. [Dimensions in brackets are metric].

WORLDWIDE SUBSIDIARIES AND SALES OFFICES

PANDUIT CANADA
Markham, Ontario
cs-cdn@panduit.com
Phone: 800.777.3300

PANDUIT EUROPE LTD.
London, UK
cs-emea@panduit.com
Phone: 44.20.8601.7200

PANDUIT SINGAPORE PTE. LTD.
Republic of Singapore
cs-ap@panduit.com
Phone: 65.6305.7575

PANDUIT JAPAN
Tokyo, Japan
cs-japan@panduit.com
Phone: 81.3.6863.6000

PANDUIT LATIN AMERICA
Jalisco, Mexico
cs-la@panduit.com
Phone: 52.33.3777.6000

PANDUIT AUSTRALIA PTY. LTD.
Victoria, Australia
cs-aus@panduit.com
Phone: 61.3.9794.9020

For a copy of Panduit product warranties, log on to www.panduit.com/warranty

For more information

Visit us at www.panduit.com

Contact Customer Service by email: cs@panduit.com
or by phone: 800-777-3300 and reference FBSP44

PANDUIT®

©2009 Panduit Corp.
ALL RIGHTS RESERVED.
Printed in the U.S.A.

WW-FBSP44

11/2009