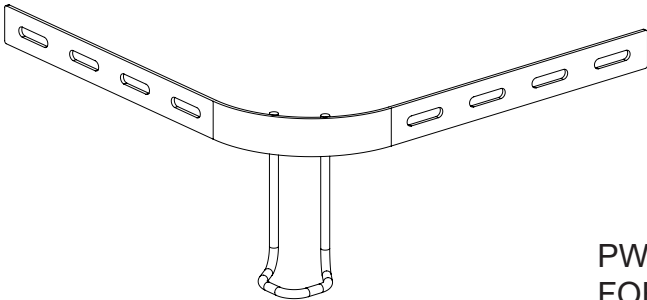
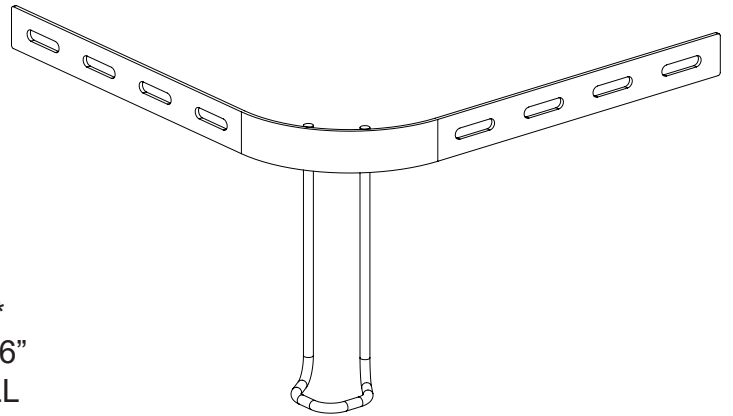
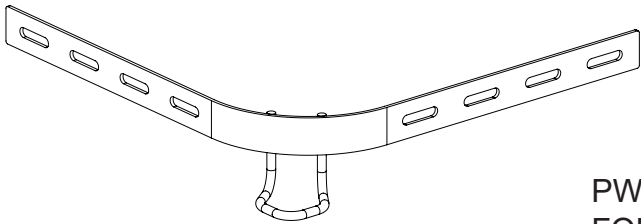
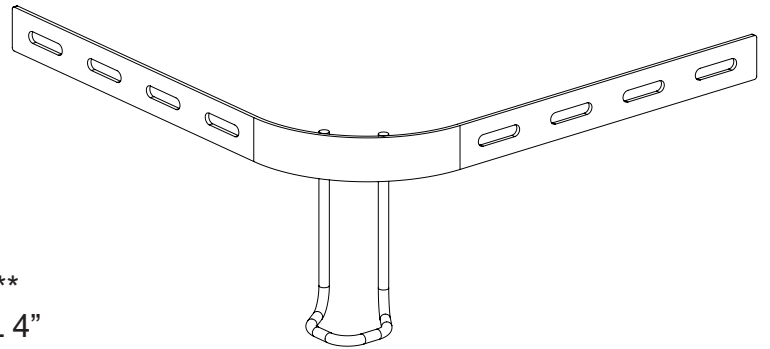


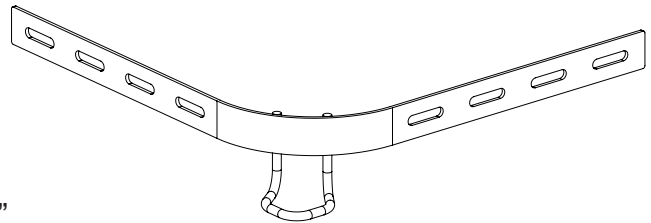
PWBIB6\*\*  
FOR ALL 6"  
SIDEWALL  
BASKETS

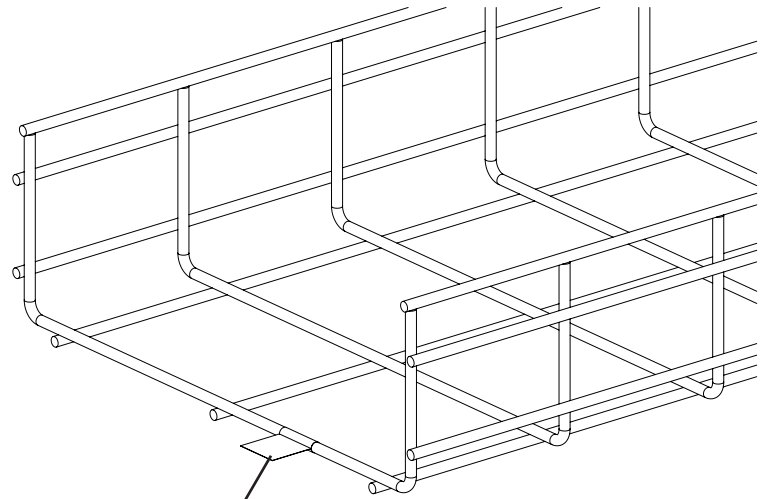
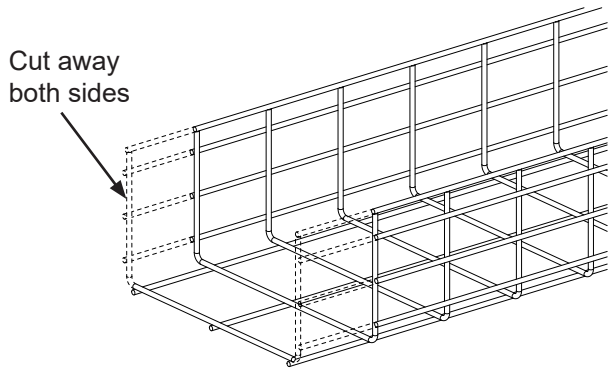


PWBIB4\*\*  
FOR ALL 4"  
SIDEWALL  
BASKETS

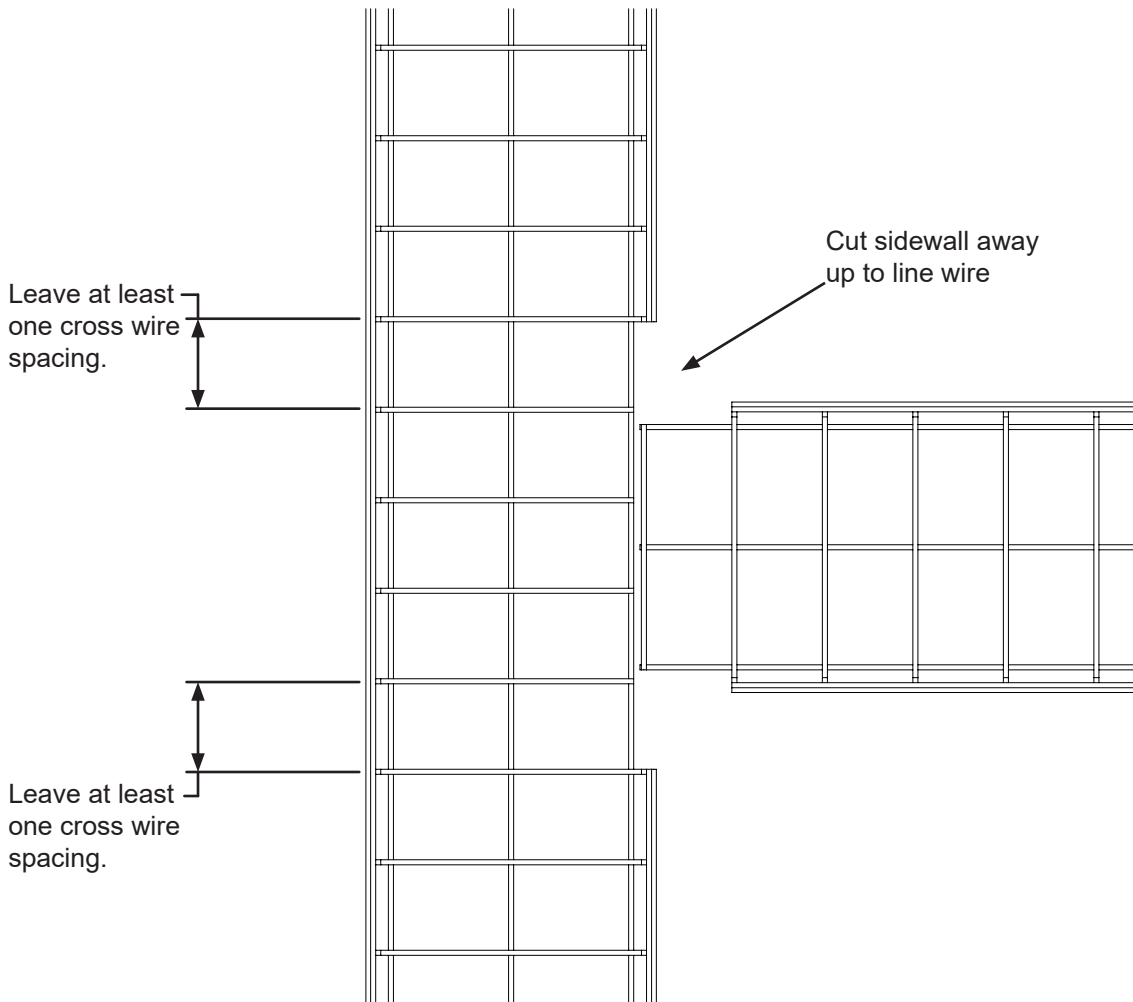


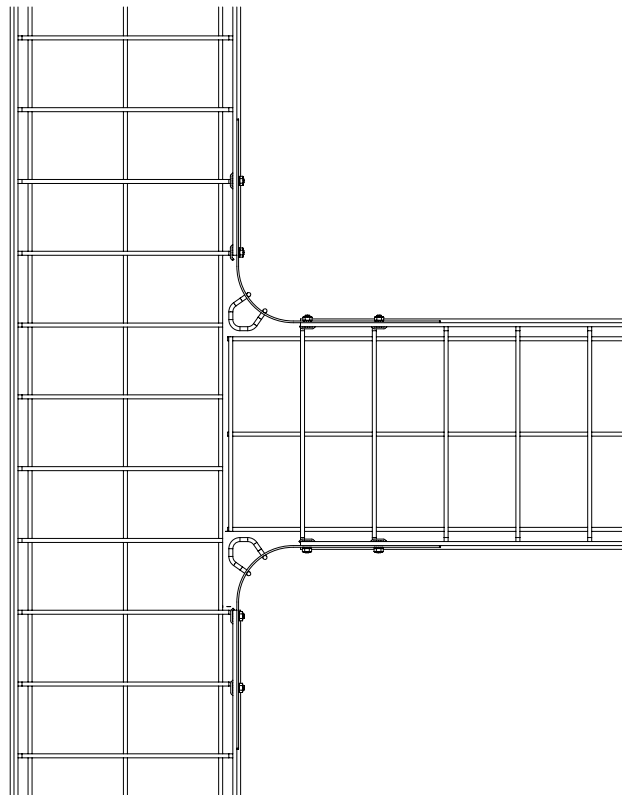
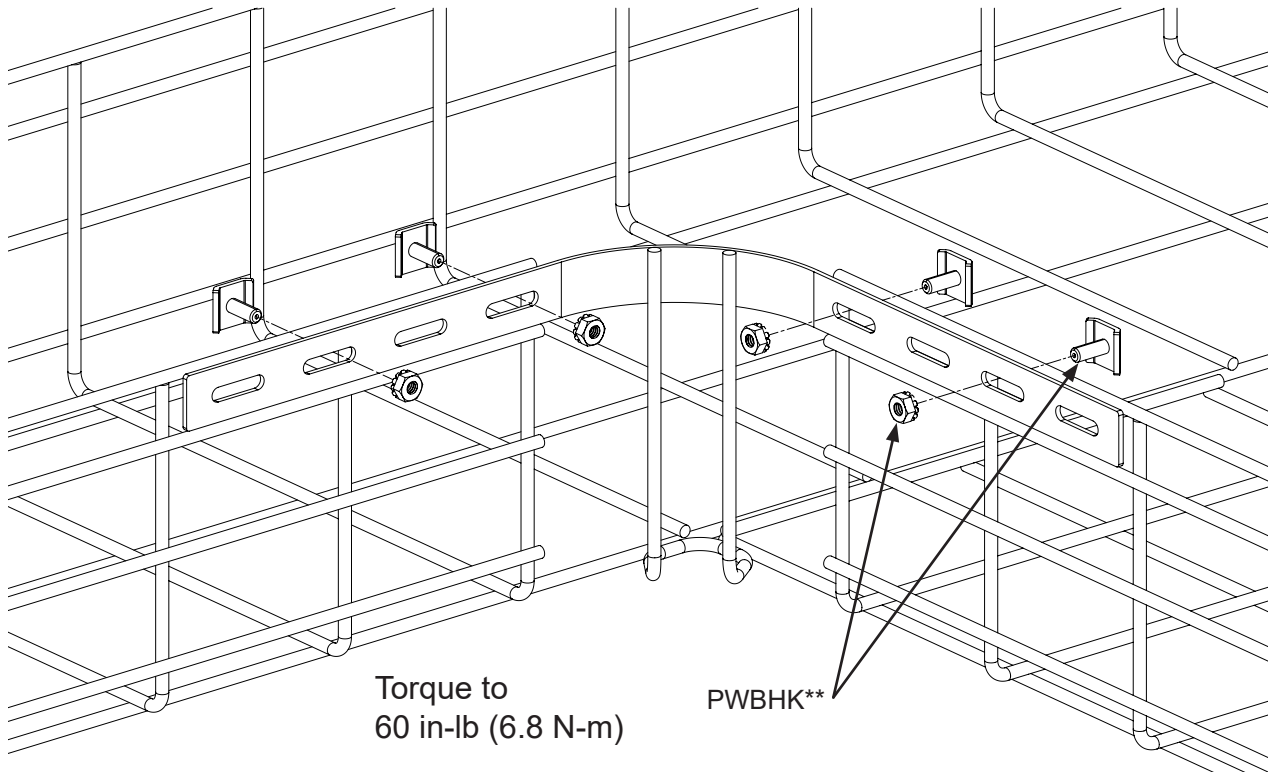
PWBIB2\*\*  
FOR ALL 2"  
SIDEWALL  
BASKETS



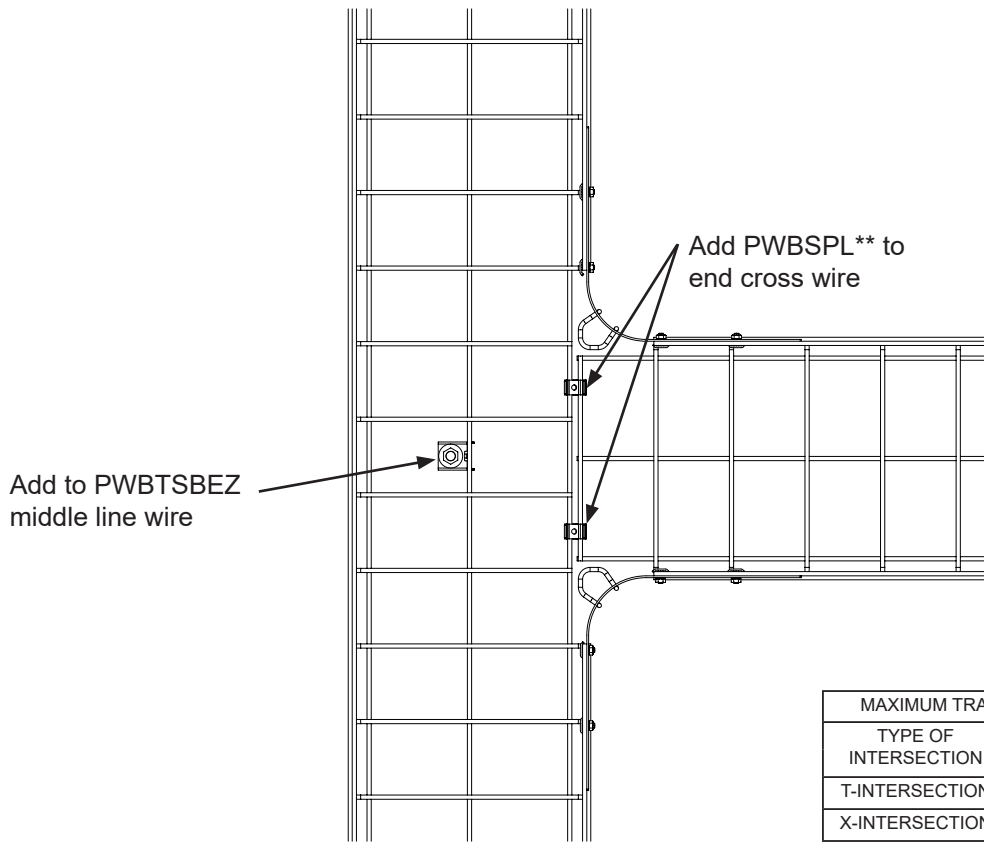


12" WIDE BASKET  
SHOWN FOR REFERENCE





Top View as  
Reference



MAXIMUM TRAPEZE DISTANCE FROM BASKET SIDEWALL						
TYPE OF INTERSECTION	BASKET WIDTH					
	4"	6"	8"	12"	18"	24"
T-INTERSECTION	24"	24"	24"	24"	12"	12"
X-INTERSECTION	24"	24"	24"	24"	12"	12"

RECOMMENDED # OF SPLICES PER BASKET	
WIDTH	#
4"	1
6"	1
8"	1
12"	2
18"	2
24"	2

