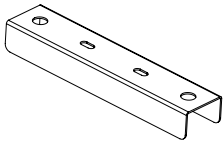
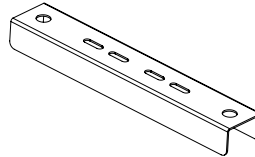


X2



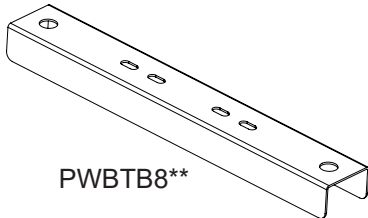
PWBTB4**

X2



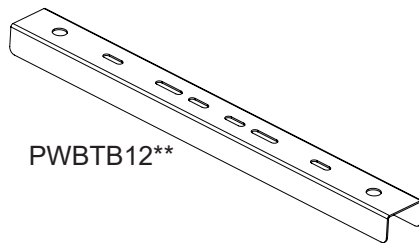
PWBTB6**

X2



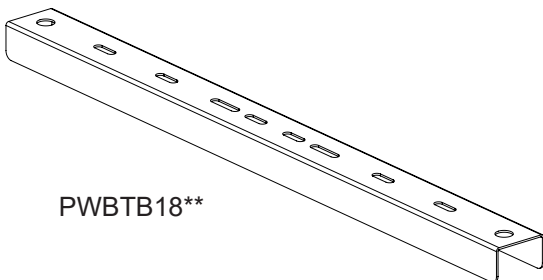
PWBTB8**

X2



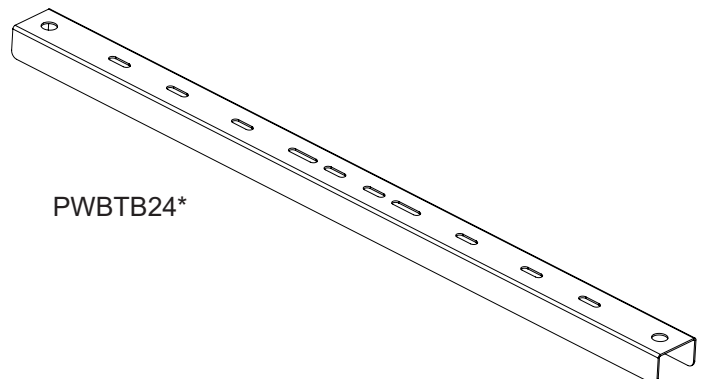
PWBTB12**

X2

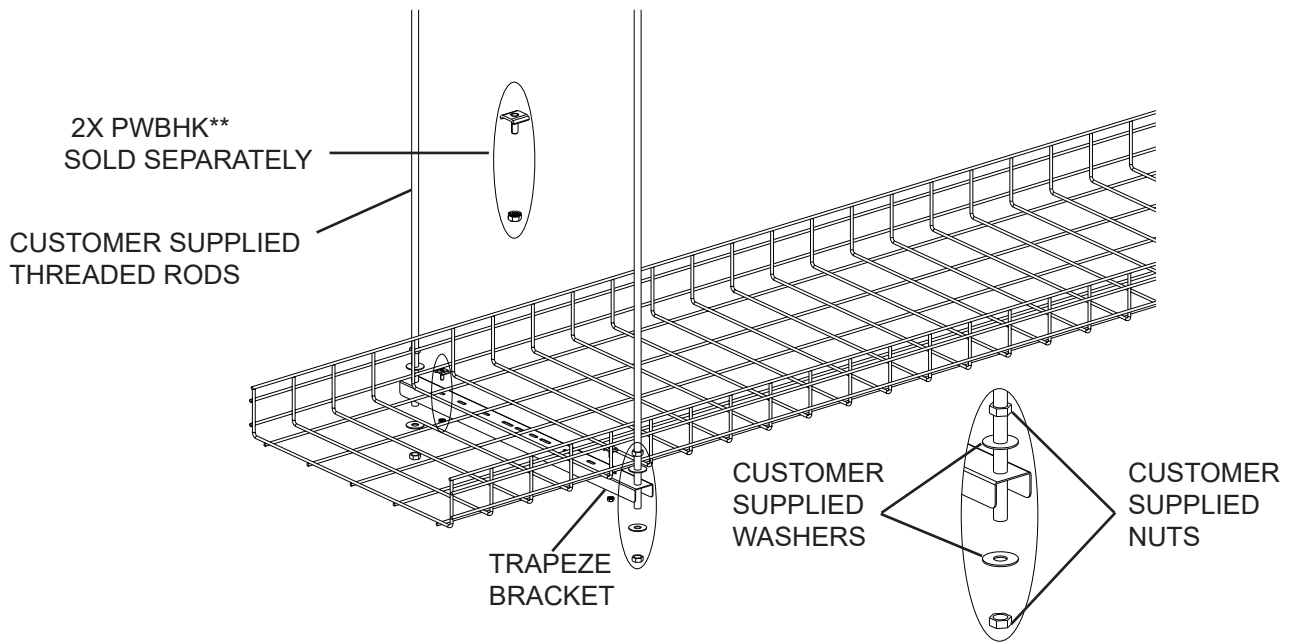


PWBTB18**

X2



PWBTB24**



SWL (Safe Working Loads) lbs/Foot Bolted Splice					
Part Number	4' Span	5' Span	6' Span	7' Span	8' Span
PWB2X4**	27	22	18	17	15
PWB2X6**	45	40	32	24	21
PWB2X8**	64	52	33	25	21
PWB2X12**	54	49	45	32	23
PWB2X18**	96	75	55	42	29
PWB2X24**	99	73	48	37	27
PWB4X4**	36	34	31	29	21
PWB4X6**	45	41	38	30	24
PWB4X8**	71	59	46	43	40
PWB4X12**	102	84	75	57	46
PWB4X18**	97	85	72	58	46
PWB4X24**	128	101	74	59	42
PWB6X6**	85	75	67	49	33
PWB6X8**	101	91	79	63	47
PWB6X12**	114	103	85	65	55
PWB6X18**	110	97	85	67	51
PWB6X24**	134	110	85	69	56

For Instructions in Local Languages and Technical Support:

http://www.panduit.com/resources/install_maintain.asp



www.panduit.com

E-mail: techsupport@panduit.com

Phone: 866-405-6654