

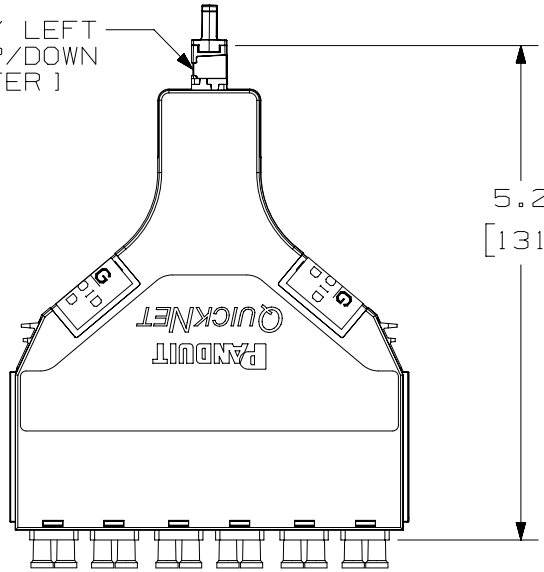
THIS COPY IS PROVIDED ON A RESTRICTED BASIS AND IS NOT TO BE USED IN ANY WAY DETRIMENTAL TO THE INTERESTS OF PANDUIT CORP.

FIBER POSITION  
1 2 3 4 5 6 7 8 9 10 11 12



LEFT VIEW

MPO KEY LEFT  
[ KEY UP/DOWN  
ADAPTER ]



TOP VIEW

5.2  
[131]

4.2  
[106]

.8  
[21]

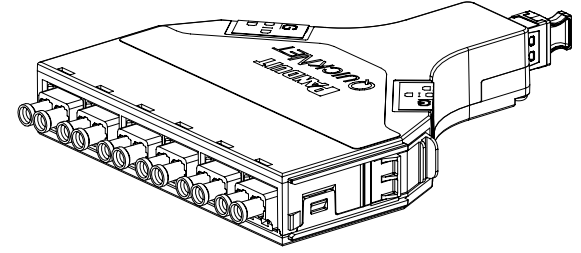
LC CONNECTOR  
LATCH DOWN

LC PORT POSITION

2 1 | 4 3 | 6 5 | 8 7 | 10 9 | 12 11

UNIVERSAL 12F - CASSETTE (U)												
MPO END / LC END	FIBER POSITION FROM MPO END TO LC END											
MPO POSITION	1	2	3	4	5	6	7	8	9	10	11	12
LC POSITION	12	1	11	2	10	3	9	4	8	5	7	6

- NOTES:
1. CASSETTE MODULE WEIGHT:  
2.4oz [69.0g]
  2. DIMENSIONS IN BRACKETS ARE METRIC.



TITLE		QUICKNET SFQ CASSETTE, 12 FIBER DUPLEX LC TO MPO CASSETTE METHOD U [ UNIVERSAL ]	
ITEM REVISION NAME		M02947YB/01	
DATASET FILE NAME		M02947YB_DC/01C	
UNLESS OTHERWISE SPECIFIED, DIMENSIONAL TOLERANCES ARE: IN [ mm ]			
.x ± .03 [ 0.8 ]      .xxx ± .010 [ 0.3 ] .xx ± .03 [ 0.8 ]      ANGLES ±			
DRAWN BY		PART NO.	
SAT		SEE SHEET 2	
DATE		DRAWING NUMBER:	
06-26-18		M02947YB-DC	
CHK		SCALE	
PJI		NONE	
DATE		SHT 1 OF 2	
06-26-18		A	
THIRD ANGLE PROJECTION		SIZE	
		A	

REV	DATE	BY	CHK	APR	DESCRIPTION	ECN
O1C	8/12/21	JSP	JGD	EJH	C. CORRECTED FIBER TABLE B. ADDED OM5 CASSETTES	M02947YB-DC
O1B	05-30-19	SAT	DWW	EJH	A. ADDED P/N FQ9N-12-LAU.	M02947YB-DC
O1A	06-28-18	SAT	JGD	EJH	RELEASED TO PRODUCTION	M02947YB-DC

