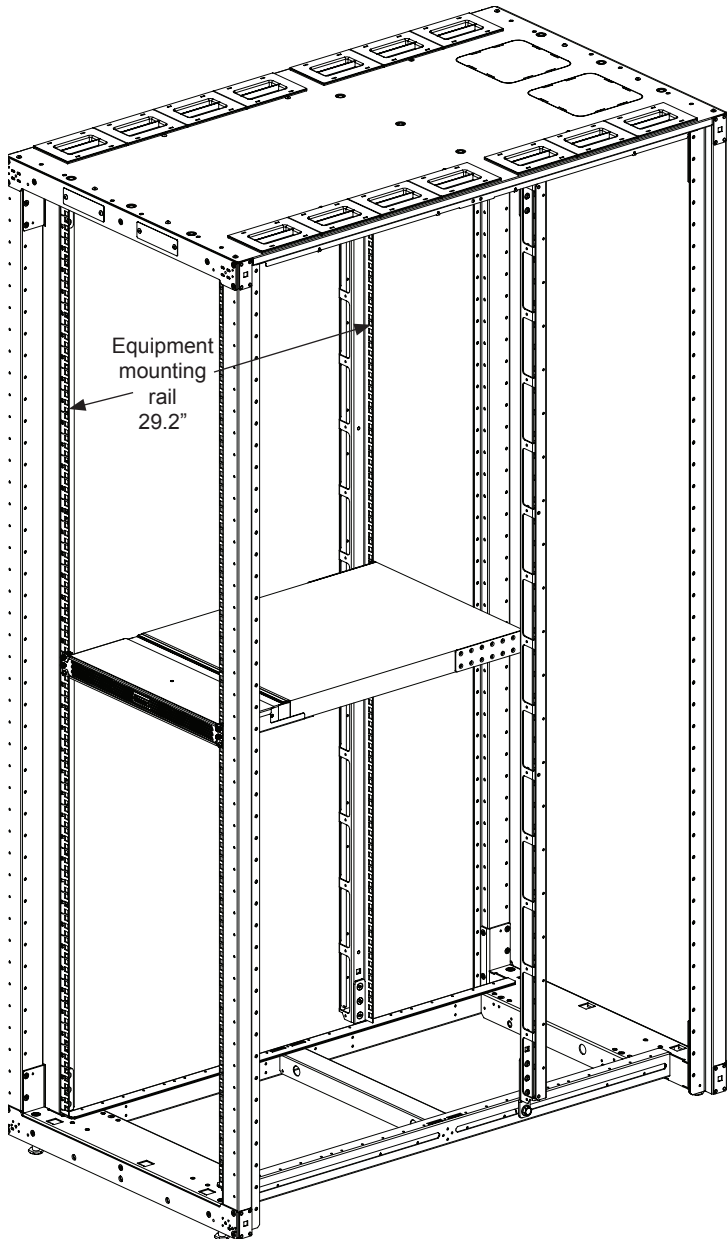
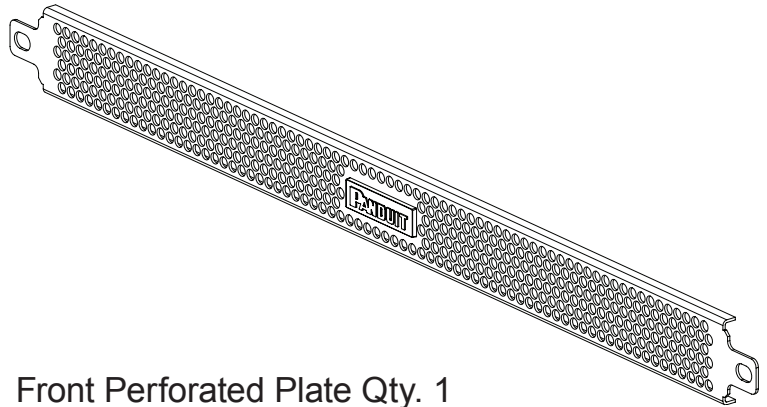
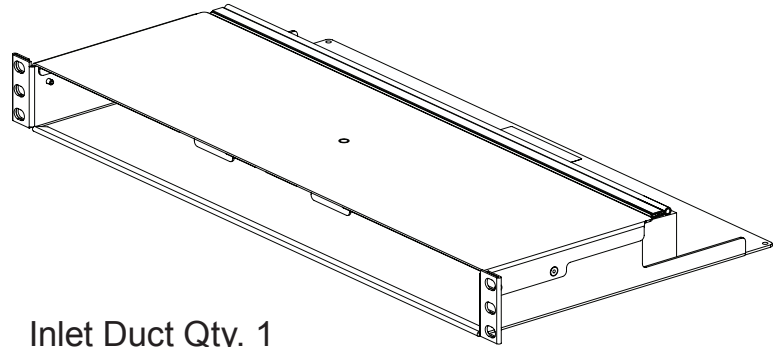


Inlet Duct is designed for Cabinet with equipment mounting rails spaced at 29.2”.

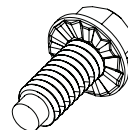
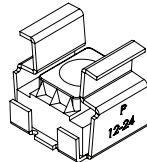


### Inlet Duct includes:

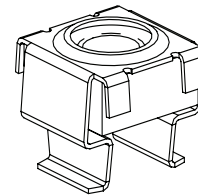


### Hardware Included

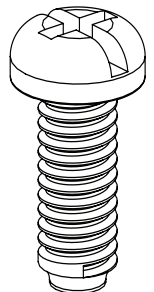
#12-24 Bonding Cage Nut Kit  
4 of each



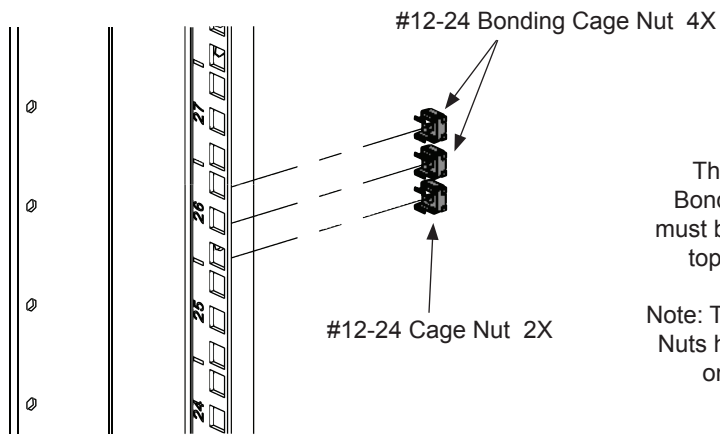
#12-24 Cage Nut  
2x



#12-24 X 1/2 Round Head Screw  
2x

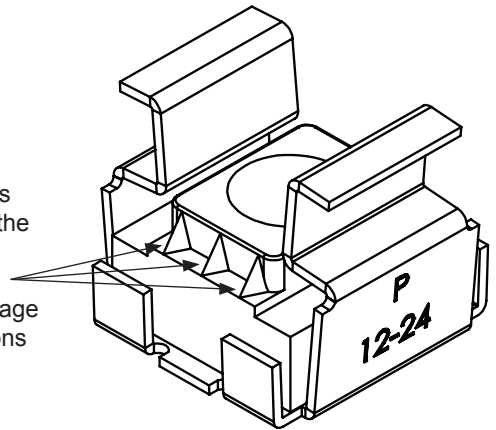


**Install Bonding Cage Nuts into the front equipment mounting rails at the desired RU location**

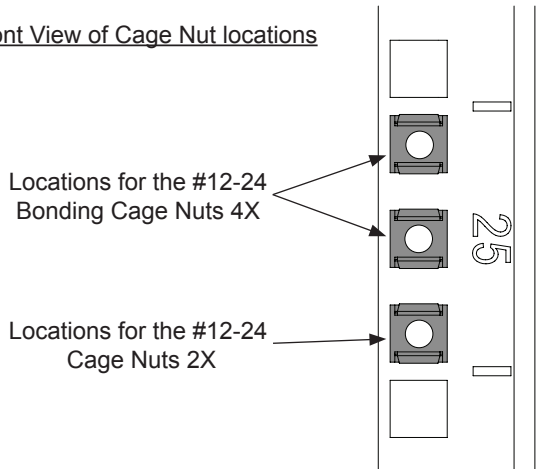


The four #12-24 Bonding Cage Nuts must be installed in the top two positions as shown.

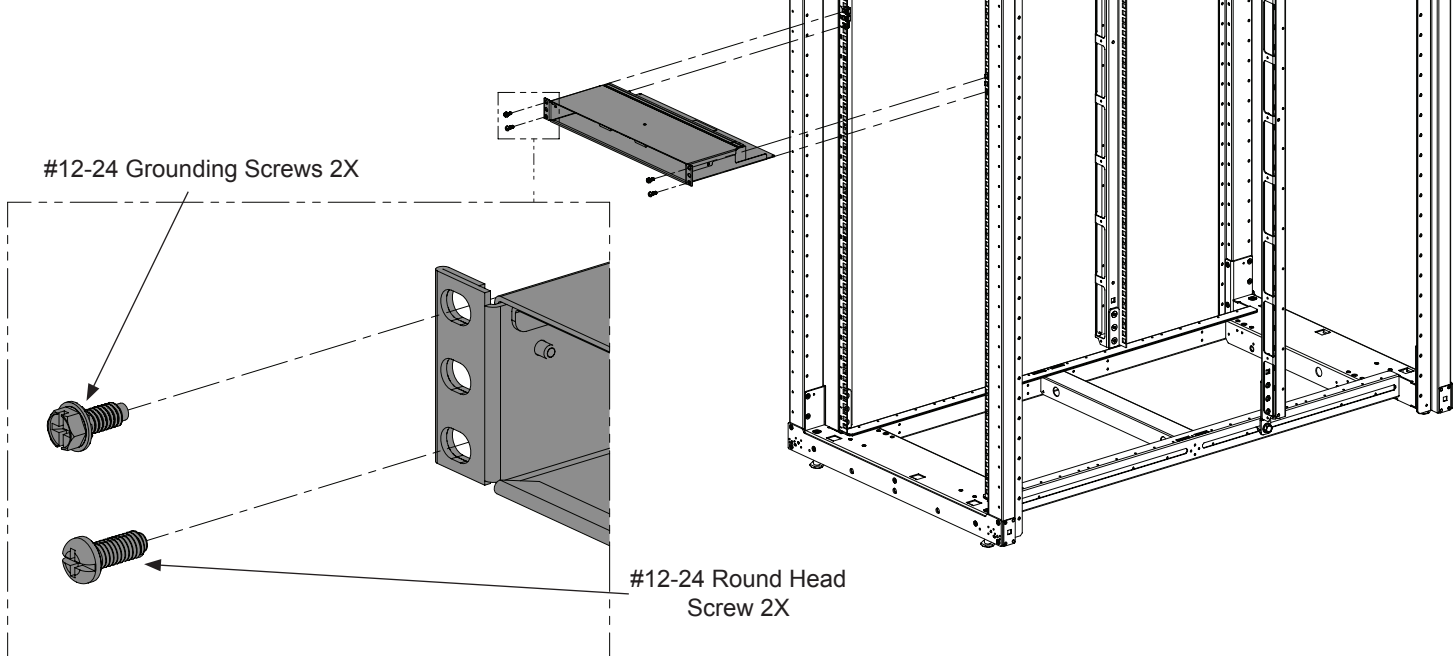
Note: The Bonding Cage Nuts have 3 serrations on either side.



Front View of Cage Nut locations



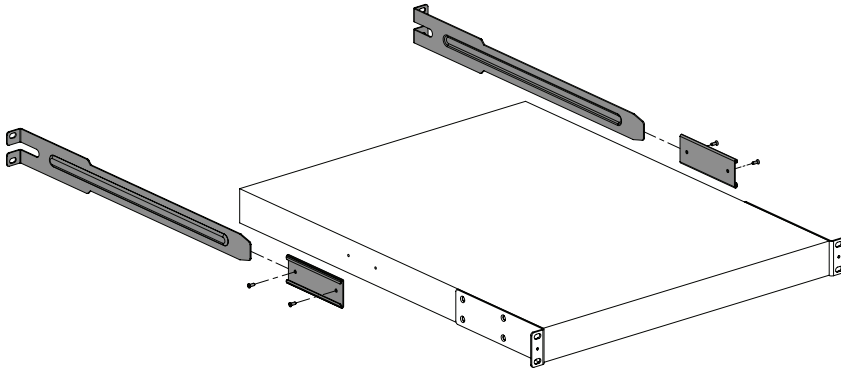
**Install Inlet Duct onto the front equipment mounting rails**



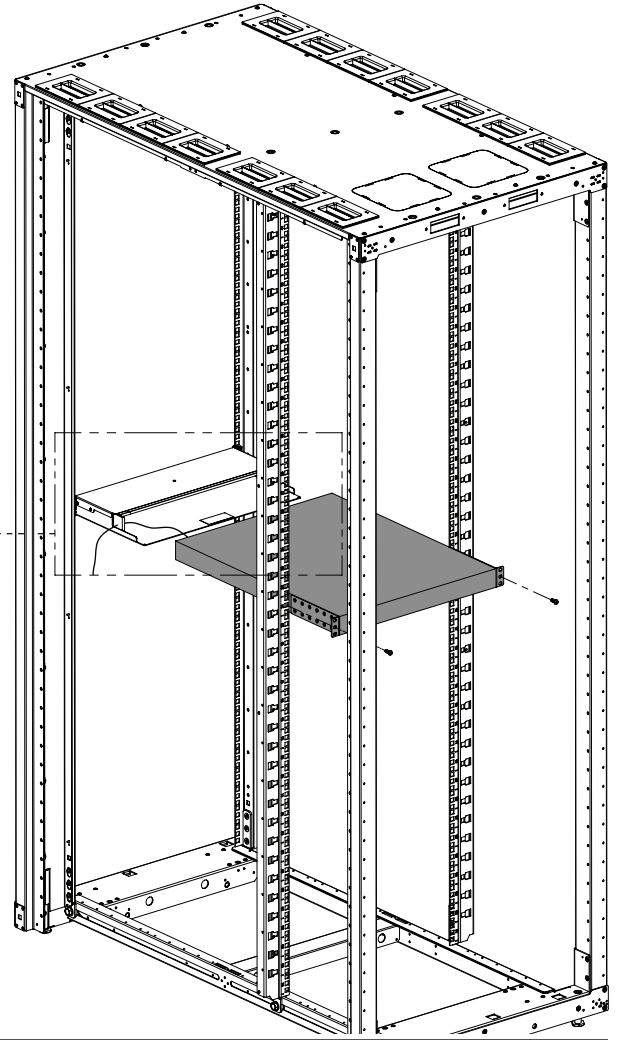
For Technical Support: [www.panduit.com/resources/install\\_maintain.asp](http://www.panduit.com/resources/install_maintain.asp)

**Install 9372 Switch to the Rails and seal the Inlet Duct to the Switch**

- 1 Remove the Rear Brackets from the Switch (NOT INCLUDED).

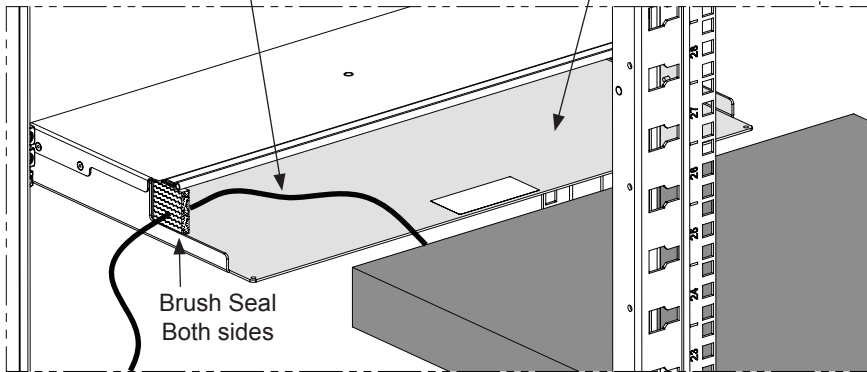


- 2 Install 9372 Switch (NOT INCLUDED) onto the back Rails and into the back of the Inlet Duct.

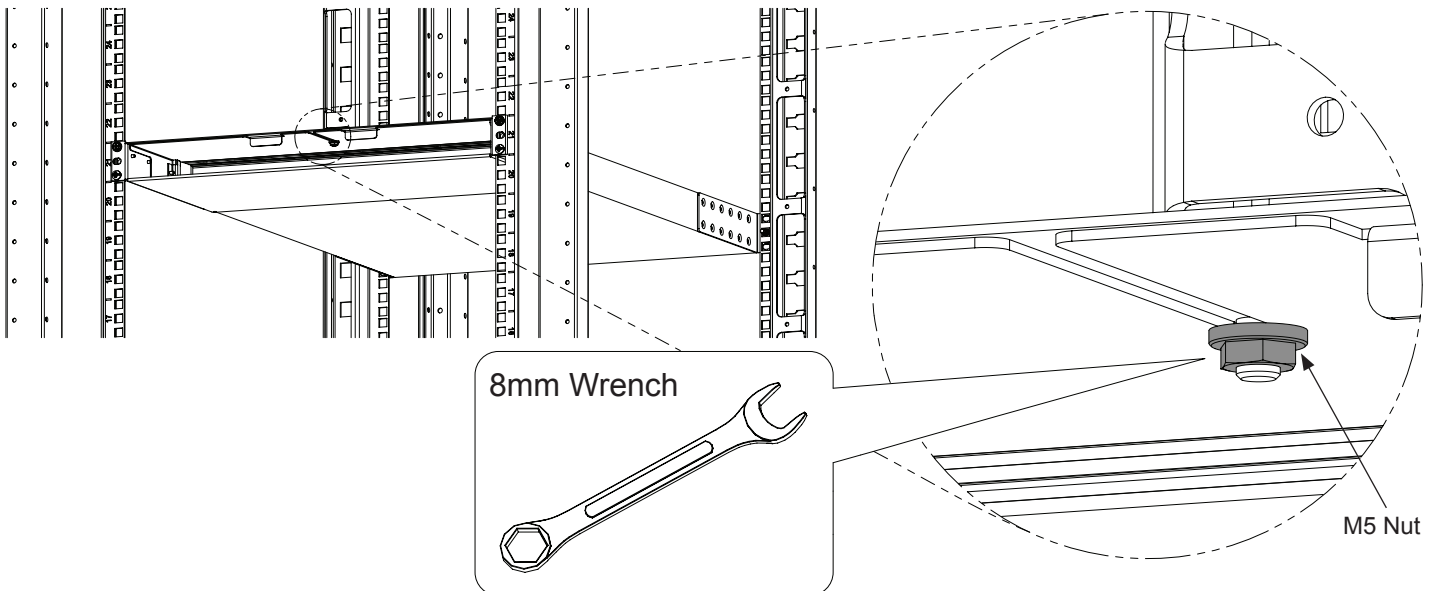


Route cables from back of the Switch thru the Brush Seals

Switch to nest inside of tray light grey areas

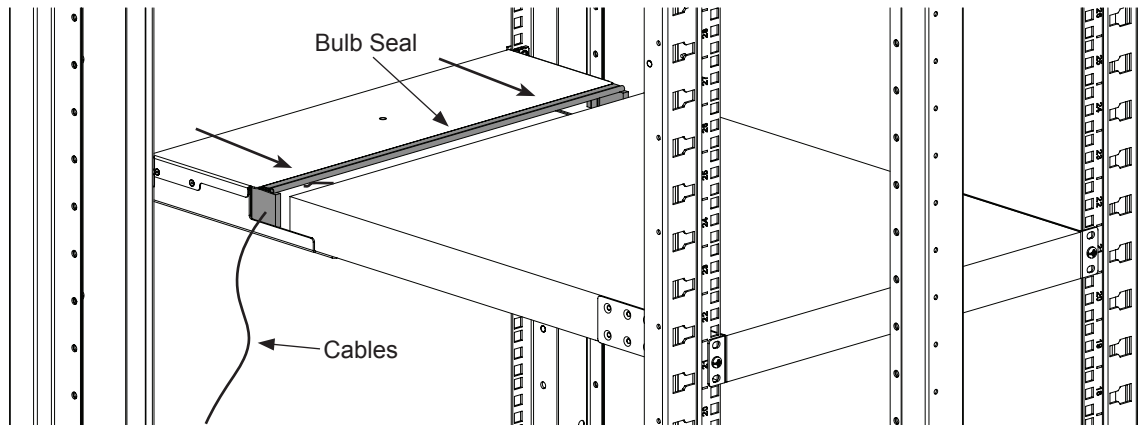


- 3 Loosen the M5 Nut located inside the Inlet Duct to allow the Sliding Plate to be pushed back against the Switch.



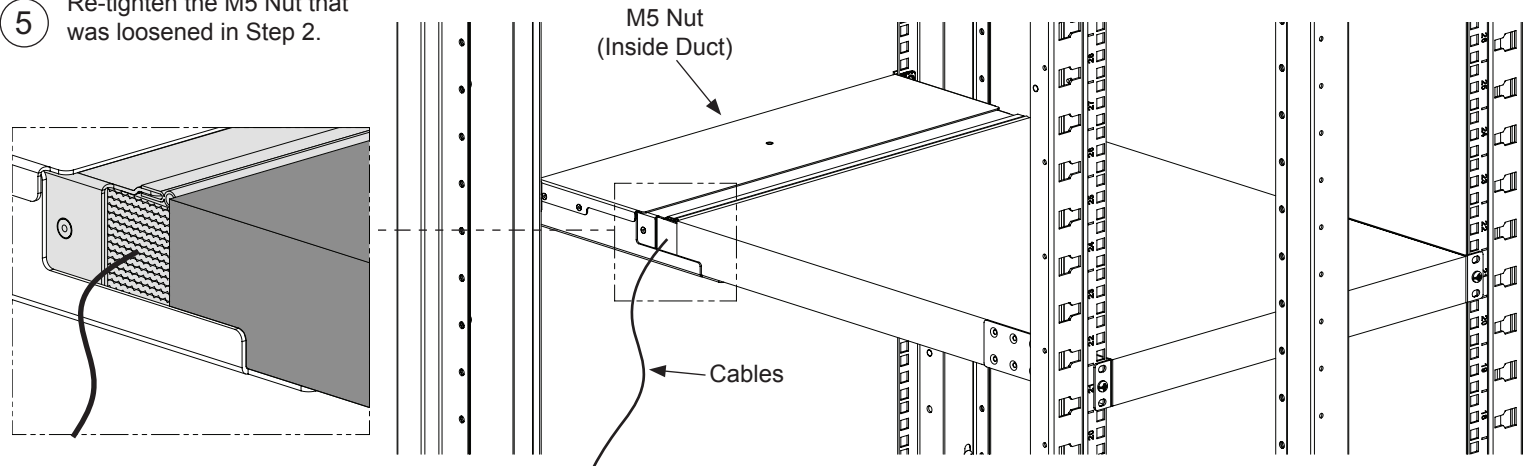
4

Slide the Sliding Plate back until the Bulb Seal and brushes seal against the Switch.



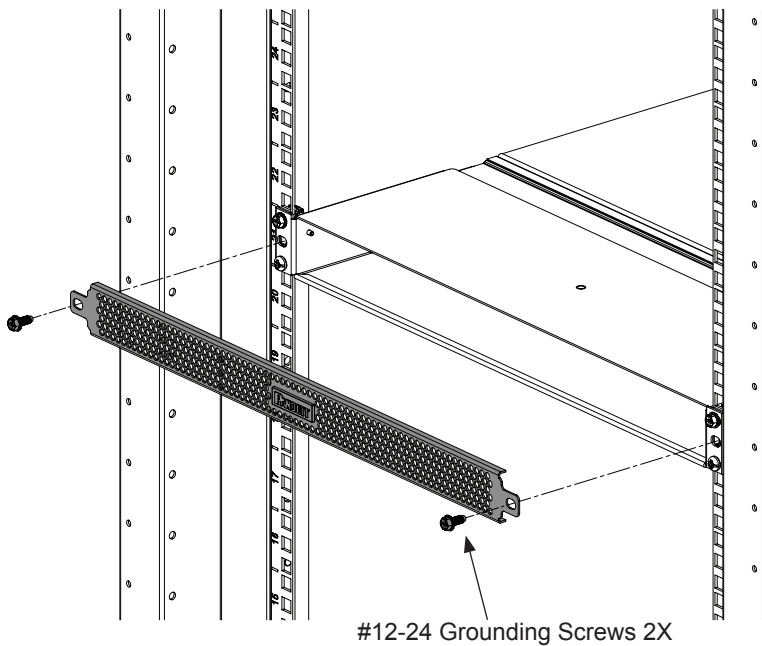
5

Re-tighten the M5 Nut that was loosened in Step 2.

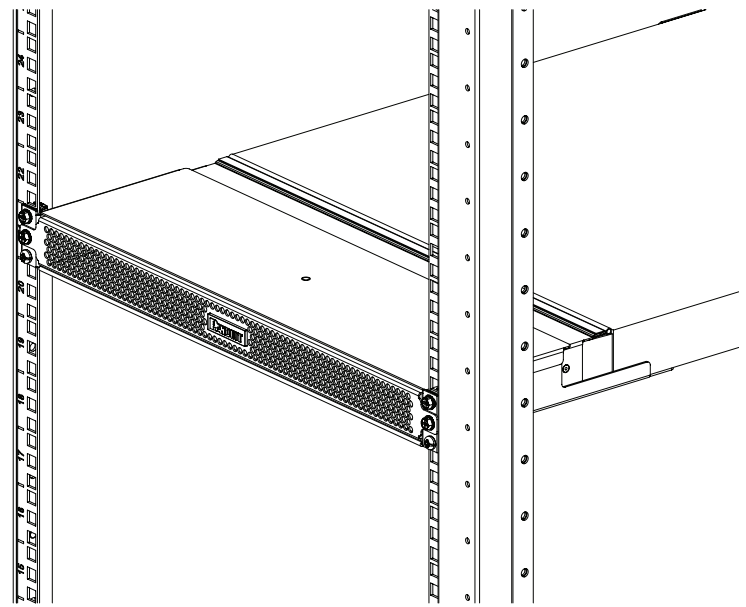


**Install Perforated Front Cover to Inlet Duct**

1

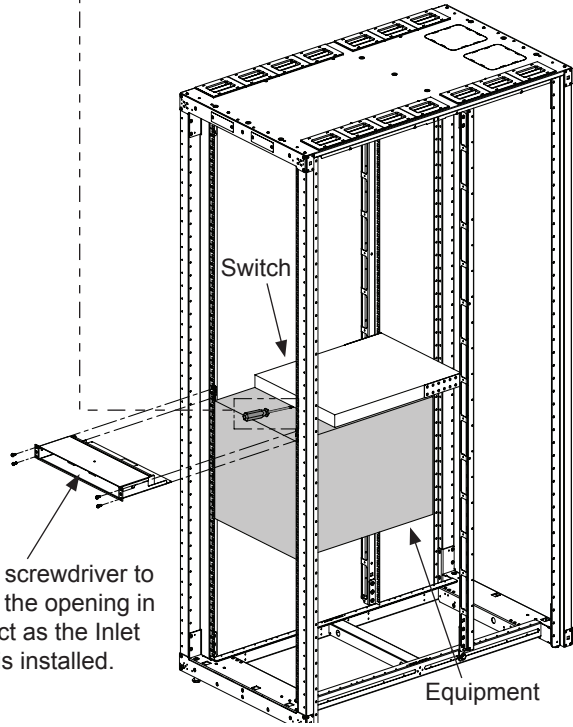
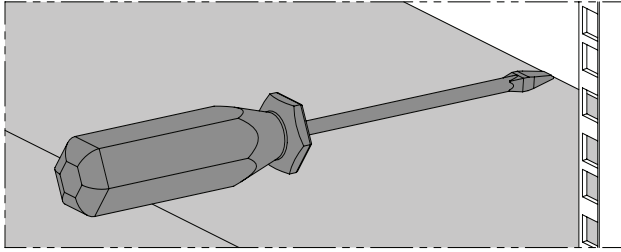


2



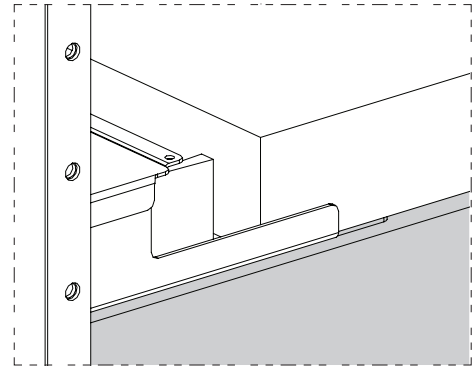
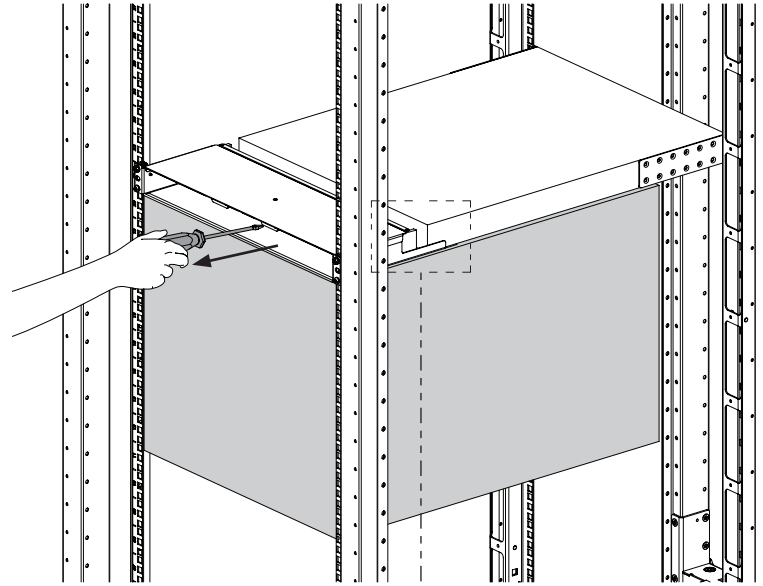
**Installation of the Inlet Duct directly above previously installed equipment**

- 1 Use flat head screwdriver to prop up switch. This will allow the bottom lip of the Inlet Duct to slide under the switch.

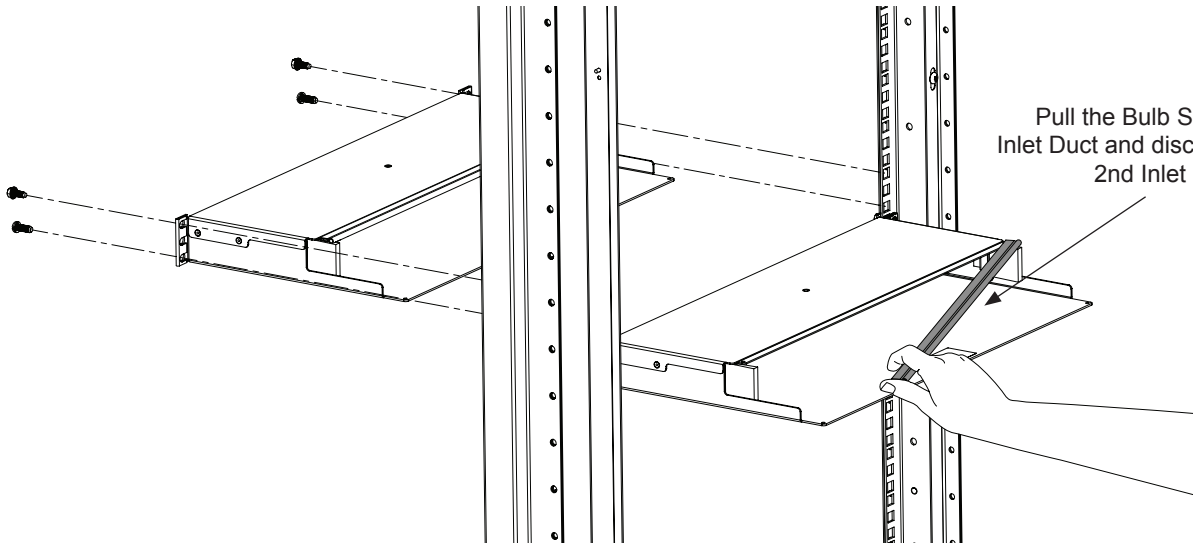


Allow the screwdriver to pass thru the opening in Inlet Duct as the Inlet Duct is installed.

- 2 Pull the screwdriver out thru the Inlet Duct opening after the Inlet Duct has been installed.



**Installation of a 2nd Inlet Duct directly above another Inlet Duct**



Pull the Bulb Seal off of the bottom Inlet Duct and discard before installing the 2nd Inlet Duct above it .

For Instructions in Local Languages and Technical Support:

[www.panduit.com/resources/install\\_maintain.asp](http://www.panduit.com/resources/install_maintain.asp)

**PANDUIT**

[www.panduit.com](http://www.panduit.com)

E-mail: [techsupport@panduit.com](mailto:techsupport@panduit.com)

Phone: 866-405-6654