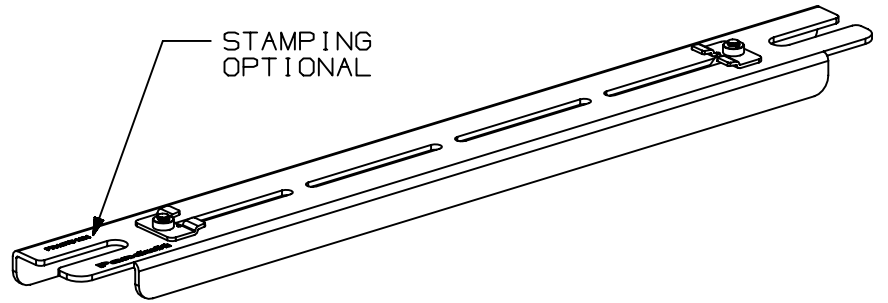
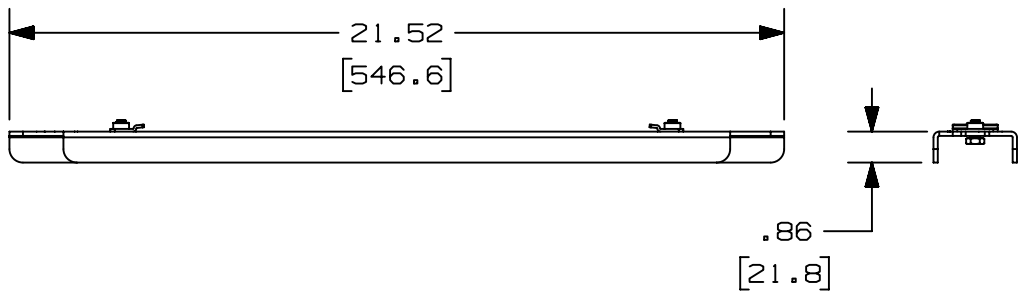
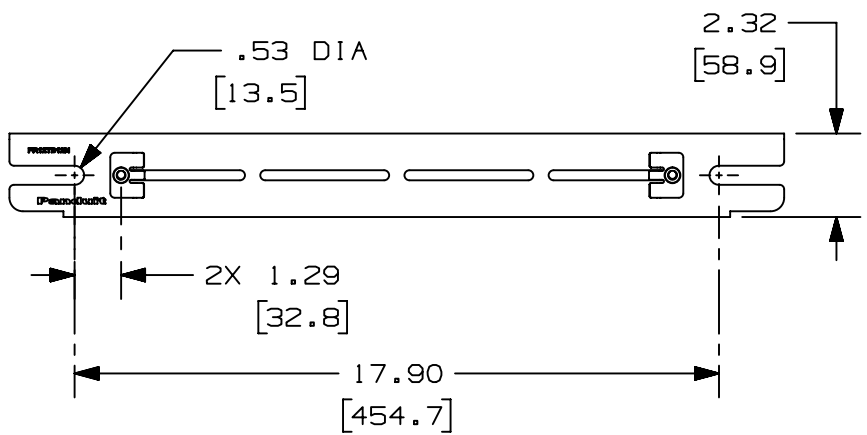


THIS COPY IS PROVIDED ON A RESTRICTED BASIS AND IS NOT TO BE USED IN ANY WAY DETRIMENTAL TO THE INTERESTS OF PANDUIT CORP.

PANDUIT PART NUMBER	WEIGHT
FR12TB12 FR12TB12M	2.71 LB/EACH (1230g/EACH)

NOTES:

1. SEE CURRENT CATALOG FOR ADDITIONAL PART SUFFIXES TO INDICATE PACKAGE QUANTITY.
2. THE FIBERRUNNER 12x4 QUIKLOCK TRAPEZE BRACKET IS USED TO SUPPORT THE FIBERRUNNER 12x4 CABLE ROUTING SYSTEM BETWEEN TWO (2) SECTIONS OF NEW 1/2" (M12) THREADED ROD THAT ARE 18" (457.2) - 20" (508) APART.
3. THE FIBERRUNNER 12x4 QUIKLOCK TRAPEZE BRACKET INCLUDES: ONE (1) BRACKET ASSEMBLY, FOUR (4) 1/2 HELICAL SPRING LOCKWASHERS, FOUR (4) 1/2-13 HEAVY HEX NUTS (FR12TB12 ONLY), FOUR (4) M12x1.75 HEX NUTS (FR12TB12M ONLY), ONE (1) 1/4-20 T-BOLT, ONE (1) 1/4-20 HEX KEPS NUT
4. FINISH COLOR: BLACK (EXCEPT FOR HARDWARE).
5. DIMENSIONS IN PARENTHESES ARE IN METRIC.



TITLE		FIBERRUNNER 12x4 QUIKLOCK TRAPEZE BRACKET 1/2" (M12) THREADED ROD	
ITEM REVISION NAME		CUSTOMER DRAWING	
DATASET FILE NAME		D38022C0/04	
UNLESS OTHERWISE SPECIFIED, DIMENSIONAL TOLERANCES ARE:		MATERIAL:	
INCHES	METRIC - MILLIMETER	N/A	
X.X +/- 0.03	X.X +/- 0.8		
X.XX +/- 0.018	X.X +/- 0.46		
X.XXX +/- 0.007	X.XX +/- 0.18		
DRAWING NUMBER:		38022-49	
THIRD ANGLE PROJECTION			
DRAWN BY	DATE	CHK	SCALE
JHNU	10-02-01	RPA	NONE
REV	DATE	BY	CHK
04B	9/4/19	MEX-JAGC	FWI
DESCRIPTION	APR	FWI	FWI
N. "STAMPING OPTIONAL" LABEL ADDED SEE PREVIOUS REVISION FOR HISTORY		V09002CN/07	
DESCRIPTION		ECN	
SHT 1 OF 1		A	