

# PanZone® TrueEdge Vertical Wall Mount Enclosure

## SPECIFICATIONS

The wall mount enclosures shall mount active equipment vertically in a low profile, on-wall configuration. The enclosure shall be capable of mounting up to 36 inches of active equipment depth and have the capability of vertical patching. Equipment brackets shall be adjustable for accommodation of server and/or switch applications. Enclosure shall be engineered to allow proper ventilation for use with various networking equipment including, but not limited to, Power over Ethernet (PoE) Switches and Uninterrupted Power Supplies (UPS). The vertical wall mount enclosure shall have a perforated top and bottom, which can be removed, for optimal airflow, heat dissipation, and equipment access. The optional filter-kit shall provide a NEMA 1 rating.



## TECHNICAL INFORMATION

### Dimension:

Part Number	Active RU	Passive RU	Height in. (mm)	Width in. (mm)	Depth in. (mm)	Load Capacity lbs. (kg)
WME3BL	3 RU	3 RU	42 (1068)	28.5 (724)	9.5 (240)	200 (90)
WME6BL	6 RU	6 RU	42 (1068)	28.5 (724)	14.7 (374)	300 (136)
WME9BL	9 RU	9 RU	42 (1068)	28.5 (724)	19.9 (506)	400 (181)

**Packaging:** Base, door, horizontal passive equipment brackets, E-rail equipment brackets, locking swing handle, (includes 2 Keys), edge grommet, Tak-Ty® Hook & Loop Cable Ties, door hinges

**Material:** 16 gauge steel, powder coated

**Standards:** IP20; UL 2416

**Filter-Kit:** Easy to retrofit on an existing TrueEdge enclosure. The Filter-Kit provides a foam filter that wraps and covers the top perforations of the enclosure. This Filter-Kit eliminates any excess dust and debris from entering through the top of the enclosure. Filter Kits NEMA 1 rating. Does not change IP rating.

## KEY FEATURES AND BENEFITS

**Low profile:** Provides an efficient way to deploy switch and server systems in an open architecture environment

**Configurable:** Used as a telecommunications room, extension of the telecommunications room, micro data center, or edge deployment. Suggested mounting arrangement within the enclosure should start with the longest depth equipment positioned at the back, progressing from longest to shortest. This allows for easy accessibility, cable management, and better airflow.

**Thermal capacity:** Perforated top and bottom optimizes airflow for improved dissipation of heat generated from active equipment

**Adjustable equipment rails:** Increases usable enclosure depth to 36" of available space within the enclosure for active equipment while maintaining the ability to mount patch panels; provides user preferred installation capabilities and a variety of configurations based on application

**Removable and secure top cover and bottom plate:** Allows for easy installation and provides secure access to installed equipment

## APPLICATIONS

The PanZone TrueEdge Vertical Wall Mount Enclosure provides a comprehensive architecture that allows up to 36 inches of active equipment depth to be mounted in a low-profile application. This low-profile wall mount enclosure houses traditional horizontal equipment vertically on a wall while minimizing network infrastructure investment to eliminating a rack or cabinet (TR in a BOX and Micro Data Center). The structurally engineered design provides for up to 36 inches of active equipment depth space. It has a premium static load rating with up to 400 pounds and best-in-class thermal ratings to eliminate equipment failure.

- **Scalable** — offering a variety of configurations for servers, switches, and edge computing
- **Strong** — able to withstand optimum load capacity for deployments of server and switch configurations
- **Configurable** — offered in 3 RU active (3 RU passive), 6 RU active (6 RU passive), or 9 RU active (9 RU passive) allowing customization opportunities to fit the needs of the user and deliver storage solutions that make a difference

## Vertical Wall Mount Enclosure

**3 RU enclosure:** WME3\*\*

**6 RU enclosure:** WME6\*\*

**9 RU enclosure:** WME9\*\*

## Enclosure Accessories

**Filter Media Replacement:** WME^FR

**Filter-Kit:** WME^\*-FKIT

**Vertical 1 RU Bracket:** WME0UB

**Fiber Enclosure Adapter Bracket 0 RU:** FEABRU

**Active Equipment Rails:** WME^ERAIL

**Horizontal 1 RU Bracket:** WME^1RU

**Brush Pass Through Kit:** WMEBR

**Ground kit:** WMEGK

**Fan kit:** PZAEFAN

**Euro fan kit:** PZAEFK-E

## Mini-Com® Patch Panels

**Mini-Com Modular Patch Panel with Labels:** CPPL^^WBLY

**Mini-Com High Density Modular Patch Panel:** CPP^^HDWBLY

**Mini-Com Modular Patch Panel:** CPP^^FMWBLY

## Panduit UPS and PDU Monitoring Equipment

**UPS:** U01N11V

**Lithium UPS:** U01N11L

**PDU:** P08D09M

**PDU Security Handle:** ACF05  
ACF06

**PDU Security Handle Temperature and Door Sensor:** ACF10  
ACF11

**PDU Security Handle Harness:** ACF20

\*\*Colors: Black (BL) and White (WH)

^Rack Units: 3 RU, 6 RU, and 9 RU

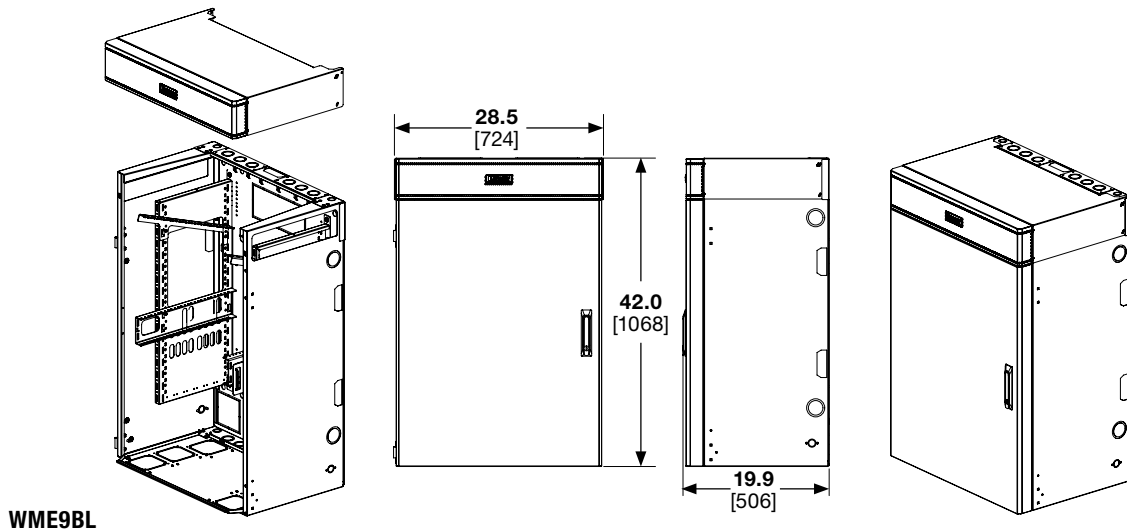
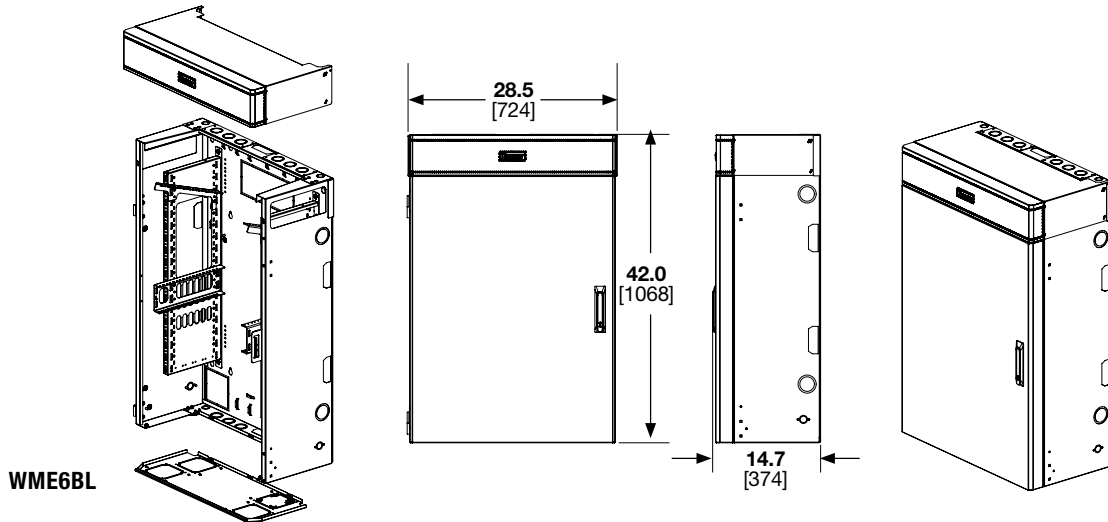
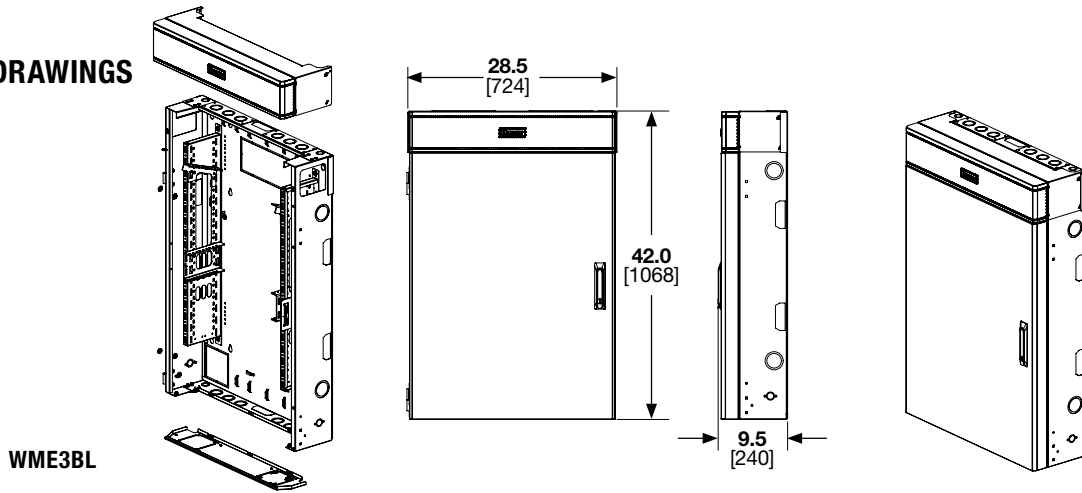
^^Ports: 24 and 48



Some Part Numbers Compliant with the U.S. Trade Agreements Act (TAA) for purchases shipped to the United States. Inquire further at panduit.com.

# PanZone® TrueEdge Vertical Wall Mount Enclosure

## ENGINEERING DRAWINGS



Dimensions are in inches. [Dimensions in brackets are metric].

### WORLDWIDE SUBSIDIARIES AND SALES OFFICES

PANDUIT US/CANADA  
Phone: 800.777.3300

PANDUIT EUROPE LTD.  
London, UK  
Phone: 44.20.8601.7200

PANDUIT SINGAPORE PTE. LTD.  
Republic of Singapore  
Phone: 65.6305.7575

PANDUIT JAPAN  
Tokyo, Japan  
Phone: 81.3.6863.6000

PANDUIT LATIN AMERICA  
Guadalajara, Mexico  
Phone: 52.33.3777.6000

PANDUIT AUSTRALIA PTY. LTD.  
Victoria, Australia  
Phone: 61.3.9794.9020

For a copy of Panduit product warranties, log on to [www.panduit.com/warranty](http://www.panduit.com/warranty)

For more information

Visit us at [www.panduit.com](http://www.panduit.com)  
Contact Customer Service by email: [cs@panduit.com](mailto:cs@panduit.com)  
or by phone: 800.777.3300

© 2024 Panduit Corp.  
ALL RIGHTS RESERVED.  
RKSP211-WW-ENG  
2/2024