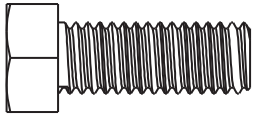
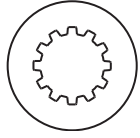


3/8" Nut



3-8X1" Bolt

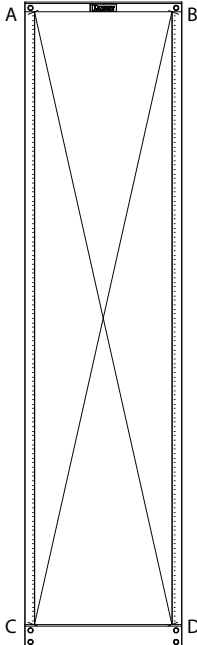
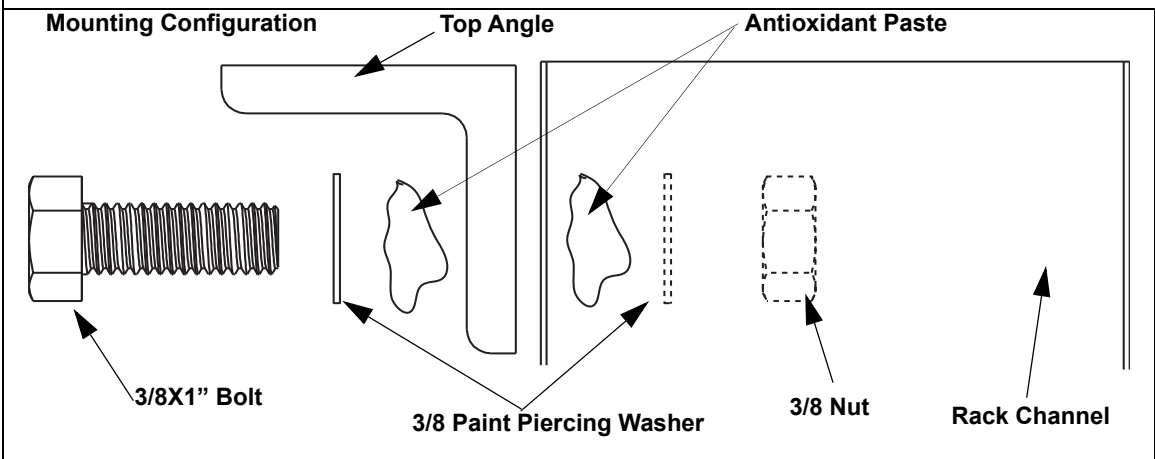


3/8" Paint Piercing Washer

RACK ASSEMBLY
 Apply Antioxidant Paste to painted surfaces that the 3/8 paint piercing washers will come in contact with. Install top angles to upright channels using (2) 3/8x1" bolts (2) 3/8" nuts and (4) 3/8" paint piercing washer (see figure below) per angle. **Finger tighten only.**

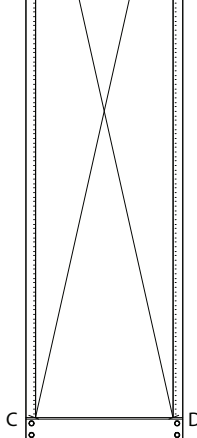
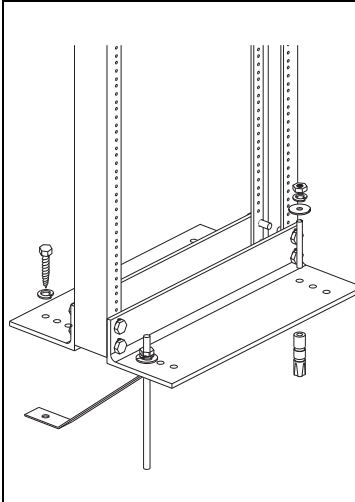
Apply Antioxidant Paste to painted surfaces that the 3/8 paint piercing washers will come in contact with. Install the base angles to the vertical upright channels using (4) 3/8x1" bolts (4) 3/8" nuts and (8) 3-16 paint piercing washers (see figure below) per angle. **Finger tighten only.**

Square the rack by measuring the distance from A to D, and B to C shown.. The difference in distance from A to D, and B to C should be no greater than 1/8". **Completely tighten all bolts to at least 14 ft.-lbs (19.0 N-m).**

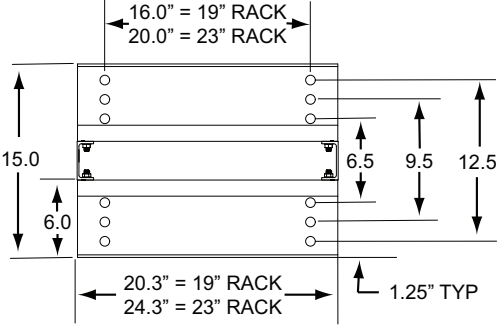
Mounting Configuration

Labels: **Top Angle**, **Antioxidant Paste**, **3/8X1" Bolt**, **3/8 Paint Piercing Washer**, **3/8 Nut**, **Rack Channel**

MOUNT RACK TO FLOOR
 Securely mount the rack to the floor using the appropriate hardware based on the floor construction (concrete, raised floor, or wood). **Note:** Mounting using the holes closest to the rack will minimize deflection.

Note: The maximum weight load of the rack is
 1,000 pounds with the exception of the R2P48, which is 300 lbs. The weight should be evenly distributed across the height of the rack, with the heaviest components mounted at the bottom of the rack. The top angles are not intended to support a significant load.



Concrete floor = RFAKIT
 Raised floor = RFA3KIT
 (Sold Separately)