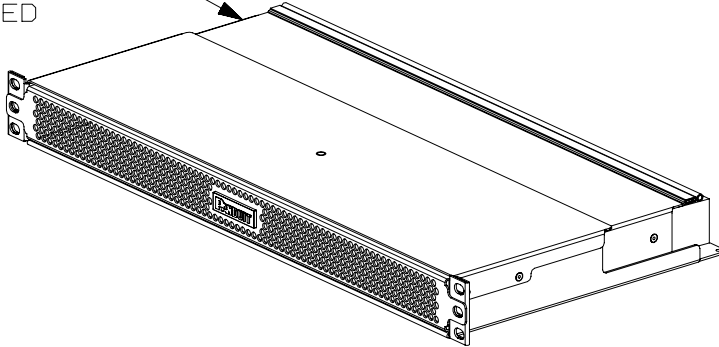


THIS COPY IS PROVIDED ON A RESTRICTED BASIS AND IS NOT TO BE USED IN ANY WAY DETRIMENTAL TO THE INTERESTS OF PANDUIT CORP.

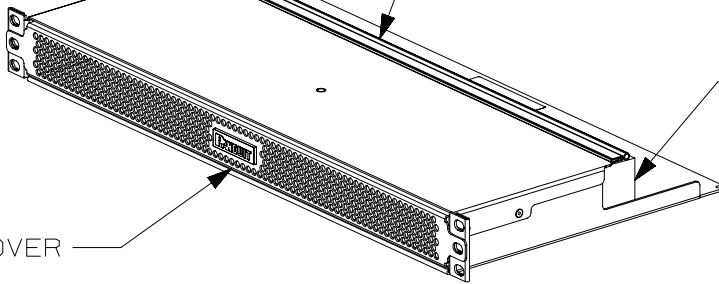
SIDE PLATE  
SHOWN  
EXTENDED



INLET BOX

SLIDE PLATE

BULB SEAL



BRUSH SEAL  
(BOTH SIDES)

1RU FRONT COVER

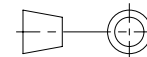
PANDUIT PART NO.	WEIGHT
CID1RU22-23DB1	6.5 LBS (3.0 kg)

NOTES:

- VISIT OUR ONLINE CATALOG AT [WWW.PANDUIT.COM](http://WWW.PANDUIT.COM) FOR A LIST OF CURRENT PARTS APPLICABLE FOR USE WITH THIS PRODUCT.
- E-RAIL SPACING OF 742mm (29.2") ±25mm (1.0") IS REQUIRED FOR PROPER INSTALLATION OF DUCT.
- DUE TO HEIGHT CONSTRAINTS, NO MORE THAN TWO OF THESE UNITS SHOULD BE STACKED IN ADJACENT RU SPACE.
- OPENING, COVERED BY BRUSH SEAL PROVIDE PATH FOR CABLES TO EXIT DUCT.
- PRIMARY DIMENSIONS ARE IN MILLIMETERS (mm). DIMENSIONS IN PARENTHESES ARE IN INCHES (IN).
- INLET DUCT TO BE USED WITH CISCO 1RU 9372 SWITCH
- PARTS SUPPLIED:  
 (1) INLET BOX WITH SLIDE PLATE  
 (1) 1RU FRONT COVER  
 (1) BULB SEAL  
 (1) HARDWARE KIT

TITLE		INLET DUCT FOR CISCO 9372 1RU SWITCH (CID1RU22-23DB1)	
		CUSTOMER DRAWING	
ITEM REVISION NAME		15V494AE/00	
DATASET FILE NAME		15V494AE_DC/00A	
MATERIAL:		N/A	
DRAWING NUMBER:		15V494AE-DC	
DRAWN BY		DATE	CHK
SSP	11-12-15	MSH	SCALE
		N/A	
SHT 1 OF 2		A	

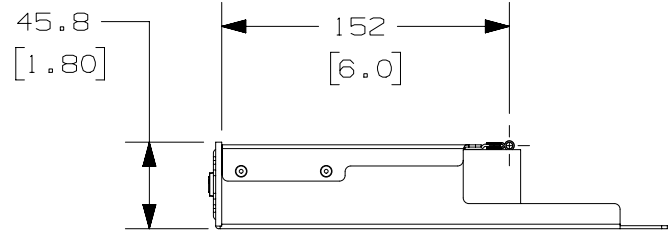
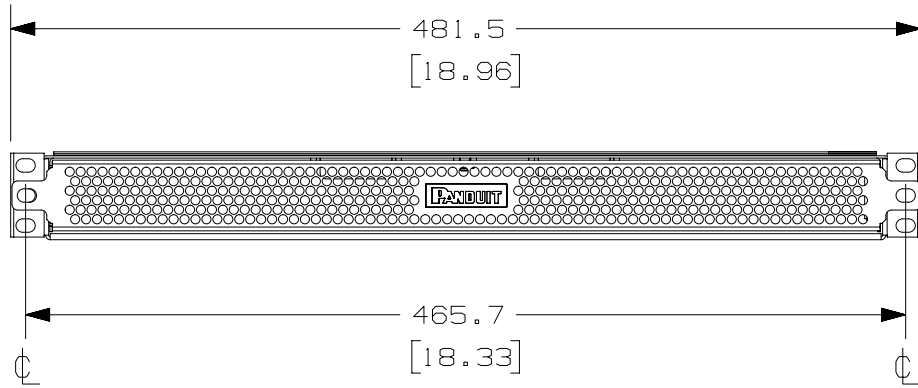
00A	11-12-15	SSP		RELEASED TO PRODUCTION	V09000NM
REV	DATE	BY	CHK	APR	DESCRIPTION
					ECN



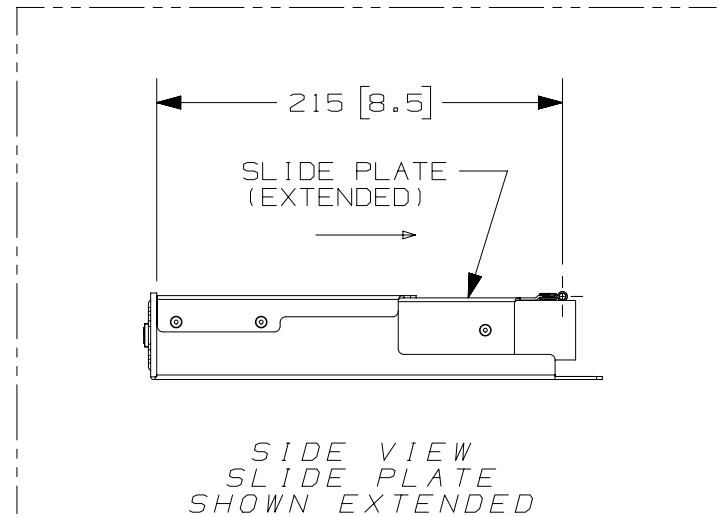
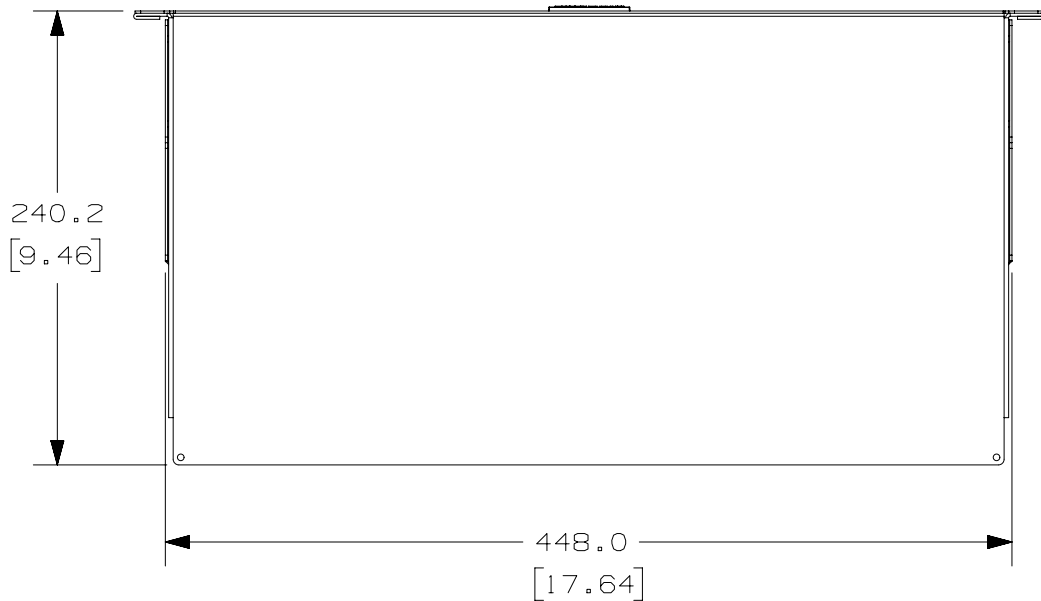
THIRD ANGLE  
PROJECTION

D10100DA/16

THIS COPY IS PROVIDED ON A RESTRICTED BASIS AND IS NOT TO BE USED IN ANY WAY DETRIMENTAL TO THE INTERESTS OF PANDUIT CORP.



SIDE VIEW



TITLE		INLET DUCT FOR CISCO 9372 1RU SWITCH (CID1RU22-23DB1) CUSTOMER DRAWING	
ITEM REVISION NAME		15V494AE/00	
DATASET FILE NAME		15V494AE_DC/00A	
MATERIAL:		N/A	
DRAWING NUMBER:		15V494AE-DC	
DRAWN BY		SSP	
DATE		11-12-15	
CHK		MSH	
SCALE		N/A	
THIRD ANGLE PROJECTION			
SHT 2 OF 2		A	

00A	11-12-15	SSP		RELEASED TO PRODUCTION	V09000NM	
REV	DATE	BY	CHK	APR	DESCRIPTION	ECN

D101000DA/16