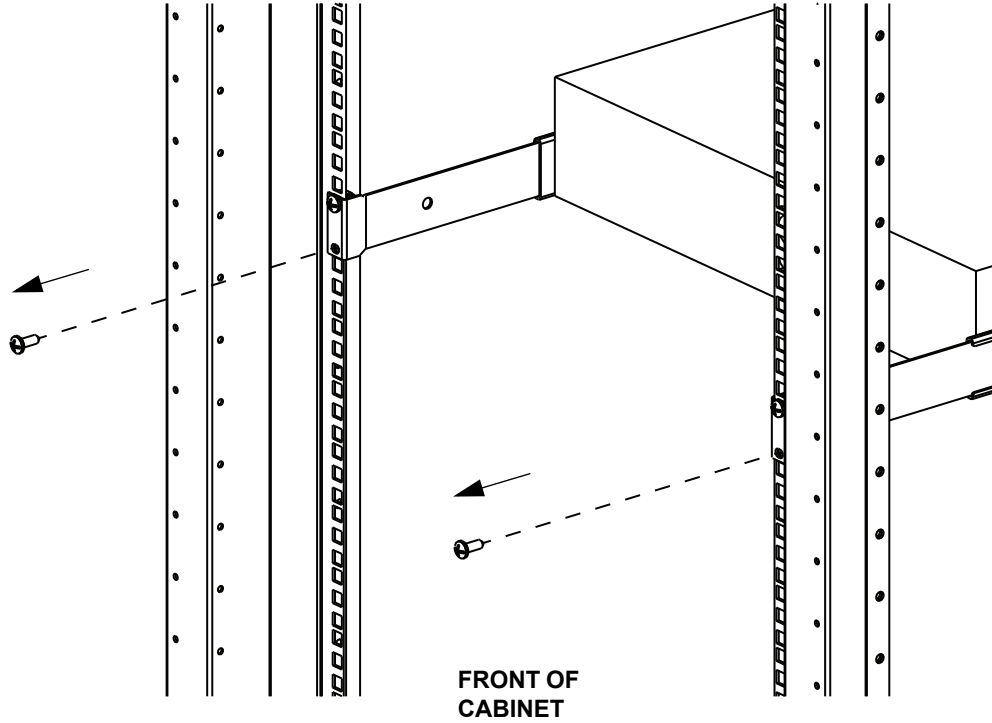


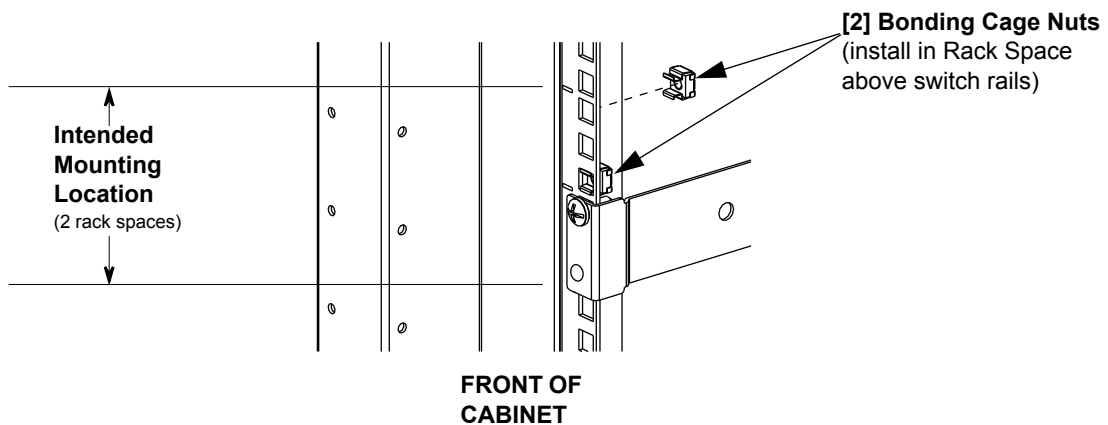
## Prepare Switch for Ducting Installation

-Remove bottom screws from front of switch rails and discard.



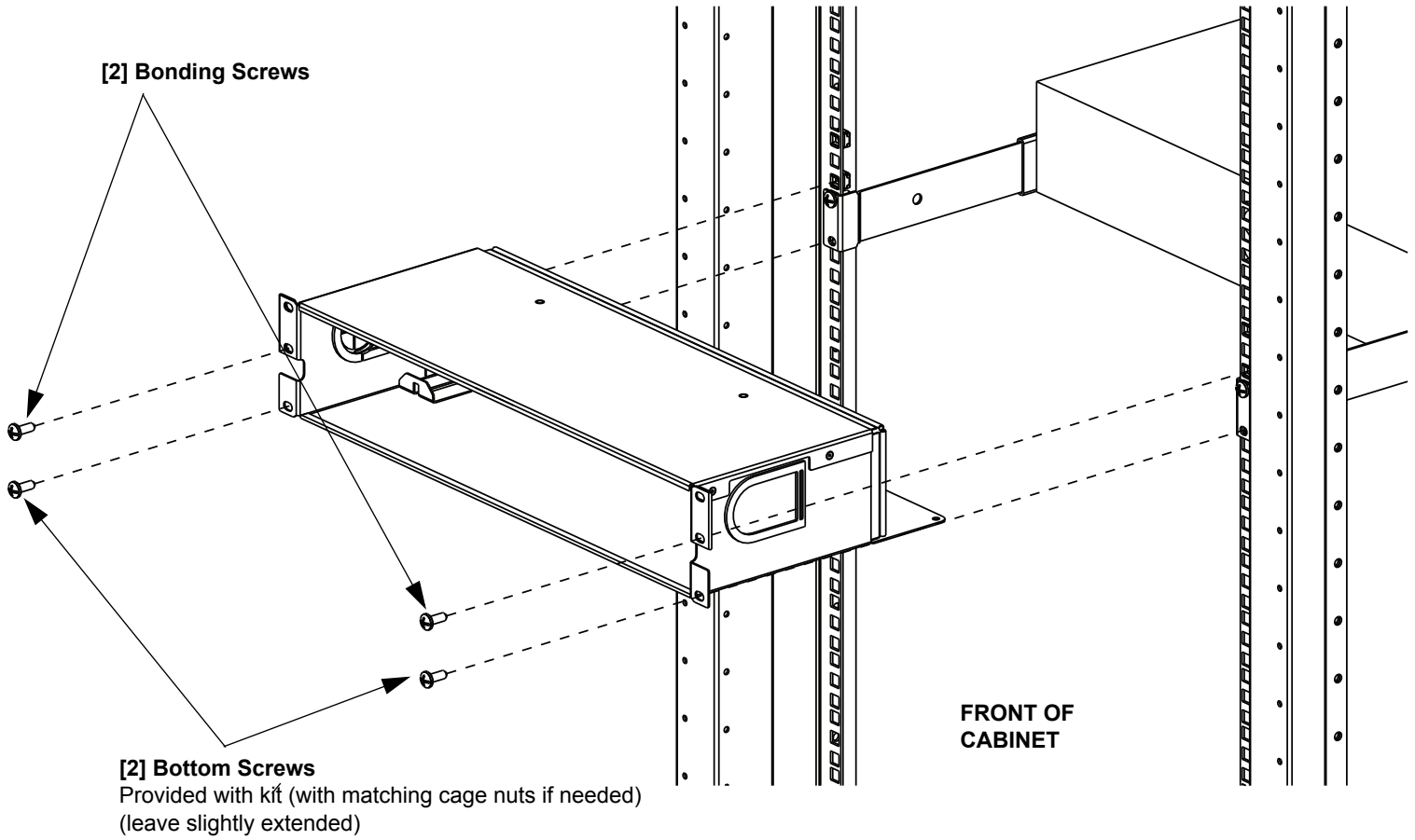
## Install Cage Nuts

-Insert [2] Bonding cage nuts per equipment rail in rack space immediately above switch rails, at front of cabinet



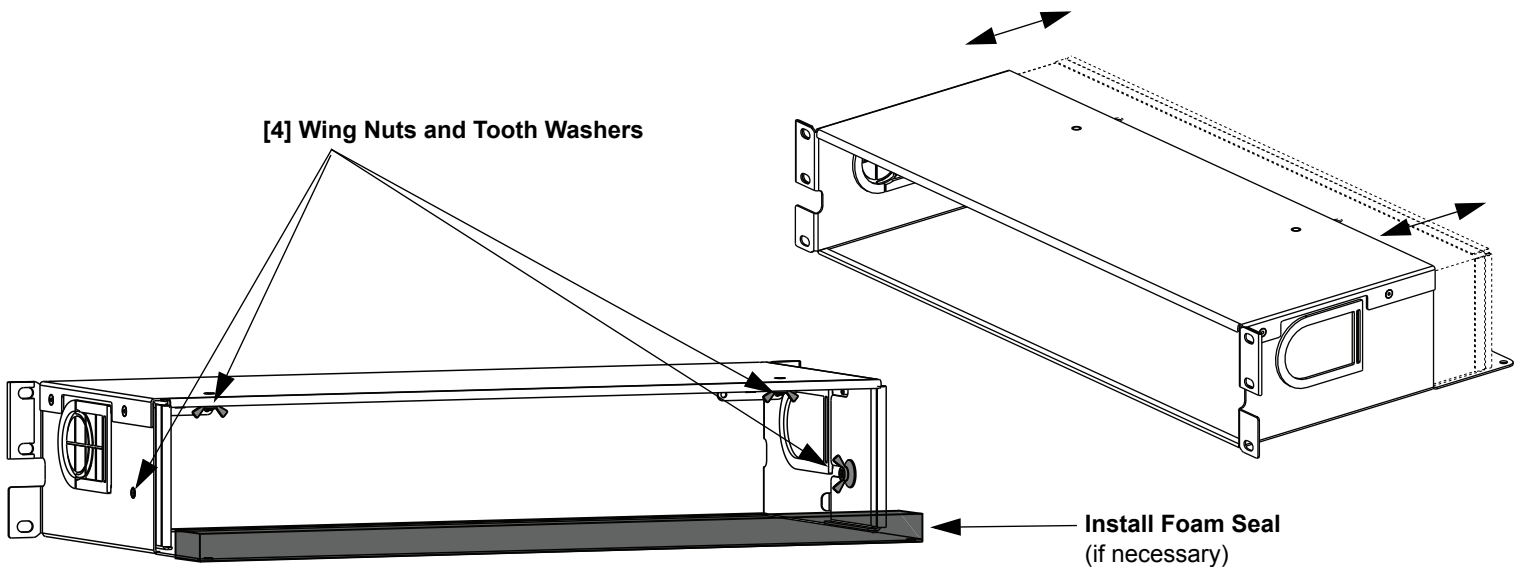
### Install Switch Ducting

- Secure DIFBA2002S00S switch ducting to equipment rails with [4] screws
- Do not tighten [2] bottom screws --- Leave slightly extended for Front Perforated Plate installation (see page 4)



### Adjust Switch Ducting

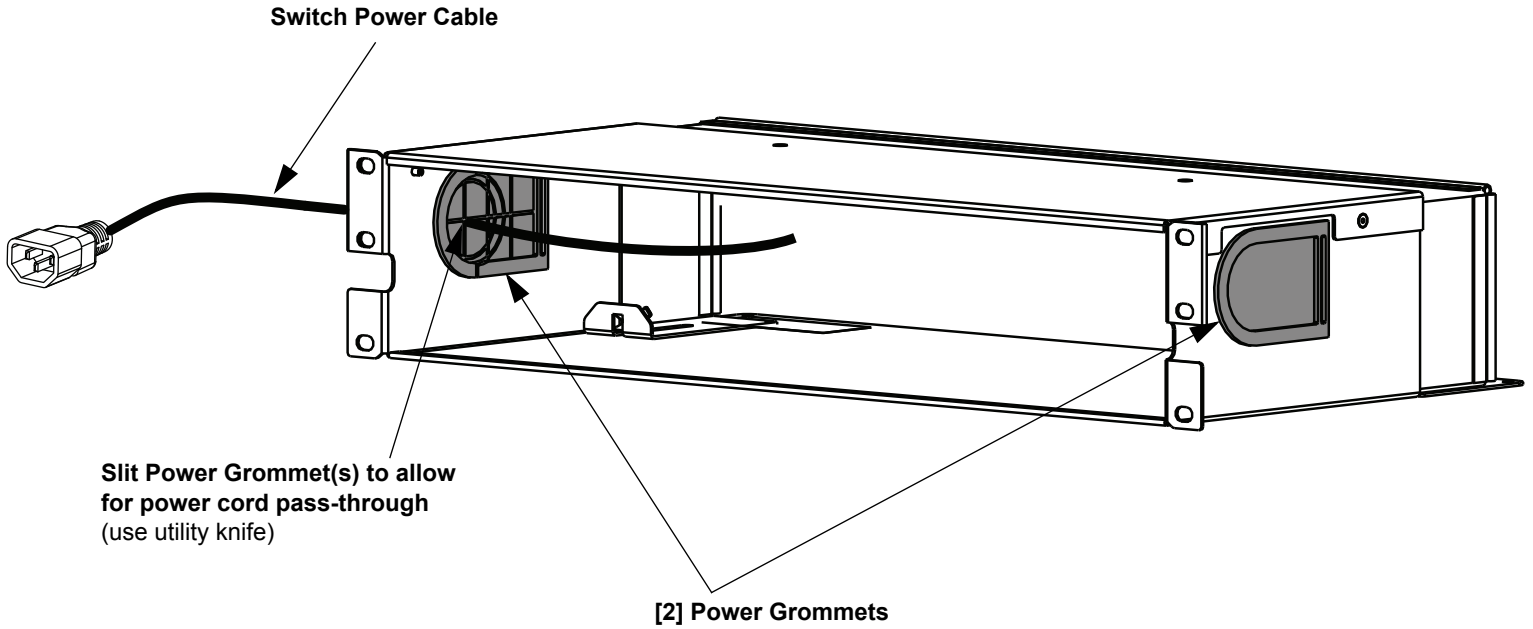
- Use [4] wing nuts and tooth washers to adjust position of switch duct seals
- Install foam seal (if necessary) to seal ducting to bottom of switch



For Technical Support: [www.panduit.com/resources/install\\_maintain.asp](http://www.panduit.com/resources/install_maintain.asp)

## Routing of Switch Power Cable

- Route switch power cable through power grommet (located on either side of DIFBA2002S00S)
- Use utility knife to slit power grommet(s) along guide lines, as needed, to allow for power cord pass-through



## Install Front Perforated Plate

- Slide slots at bottom of Front Perforated Plate over [2] bottom screws
- Secure top of Front Perforated Plate to switch ducting and equipment rails with [2] bonding screws, then tighten [2] bottom screws

