

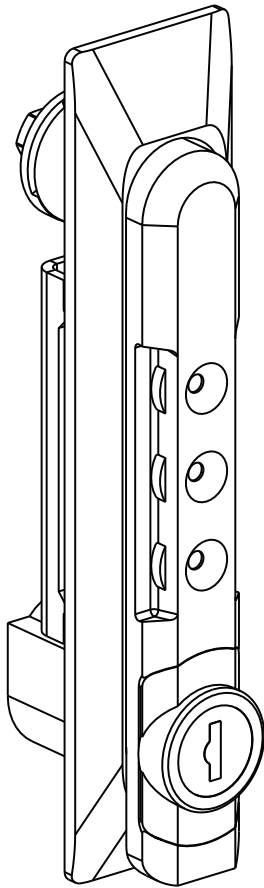
PANDUIT *NET-ACCESS N-Type and S-Type Cabinets* (CCL3 - Combination Lock Swing Handle)

INSTRUCTIONS V00029AF Rev. 01

© Panduit Corp. 2013, 2014

CCL3 - Combination Lock Swing Handle Installation

- *Reference the latest revisions of the following instruction sheets for door removal (if necessary):*
- *N-Type Cabinets: CM598*
- *S-Type Cabinets: CM599*



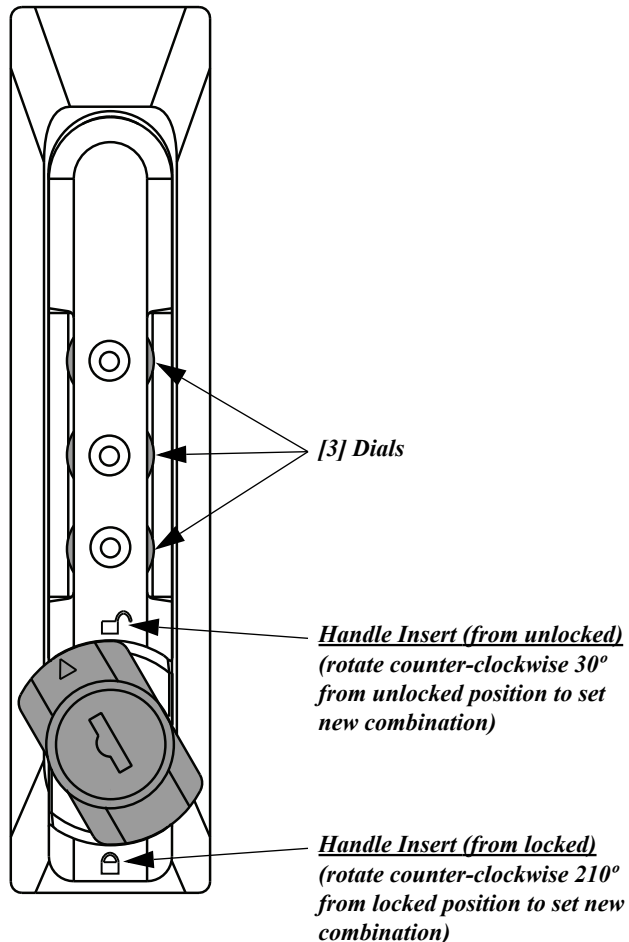
NOTE
*Entire handle assembly
must be removed from door
prior to installation of CCL3*

Combination Lock Swing Handle Operation

- *Default combination: “0,0,0”*
- *Set [3] dials to correct combination, or use key to open handle*

SET NEW COMBINATION

- *Open swing handle*
- *Rotate handle insert counter-clockwise 30° (from unlocked position) or 210° (from locked position)*
- *Set [3] dials to desired combination*
- *Return handle insert to original position*
- *Close swing handle*

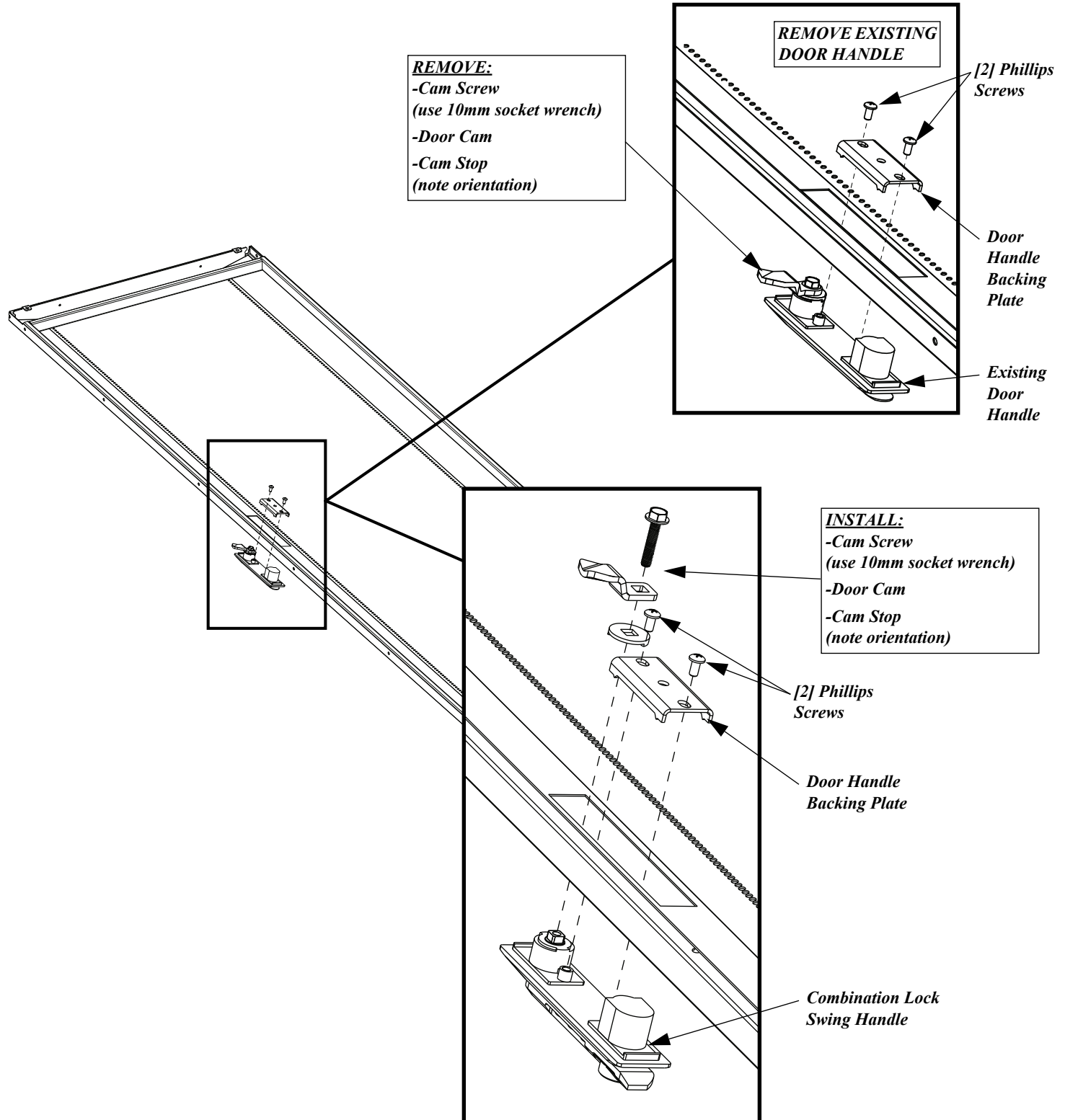


FOR TECHNICAL SUPPORT www.panduit.com/resources/install_maintain.asp

S-Type Single Hinge Door

Combination Lock Swing Handle Installation

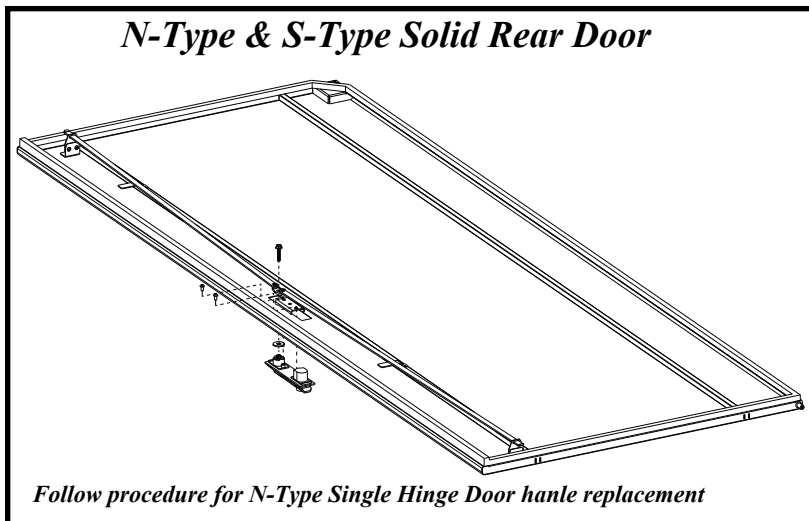
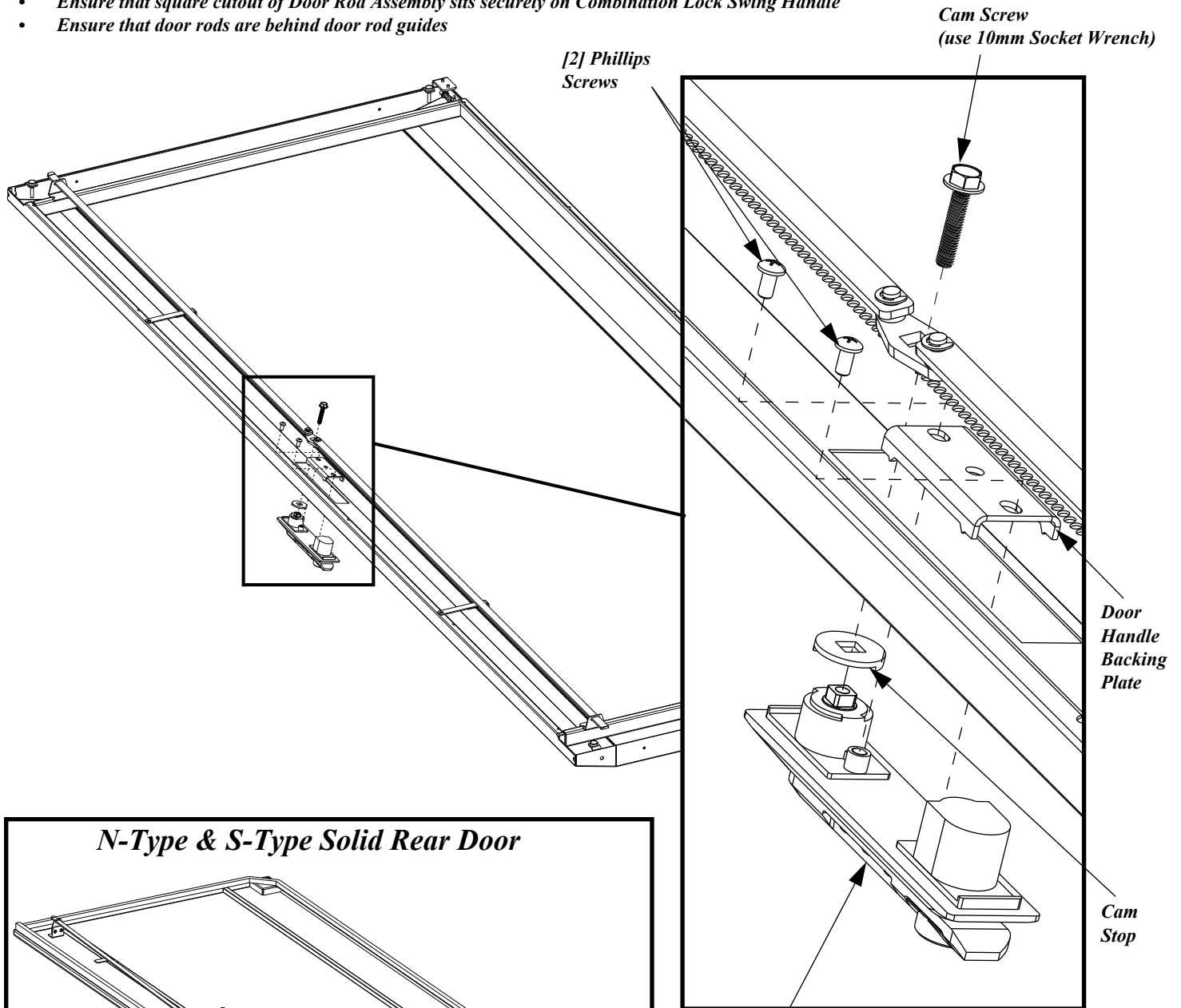
- Remove Cam Screw (use 10mm socket wrench), Cam Stop (note orientation of Cam Stop), and Cam from existing handle
- Remove Door Handle Backing Plate and remove existing door handle (remove [2] Phillips screws)
- Install Combination Lock Swing Handle by securing Door Handle Backing Plate to Swing Handle with [2] Phillips screws
- Install Cam, Cam Stop, and Cam Screw (use 10mm socket wrench)
- Note orientation of Cam Stop



N-Type Single Hinge Door; N-Type & S-Type Solid Rear Door

Combination Lock Swing Handle Installation

- Remove Cam Screw (use 10mm socket wrench) and Cam Stop (note orientation of Cam Stop) from existing handle
- Remove Door Handle Backing Plate and remove existing door handle (remove [2] Phillips screws)
- Install Combination Lock Swing Handle by securing Door Handle Backing Plate to Swing Handle with [2] Phillips screws
- Install Cam Stop and Cam Screw (use 10mm socket wrench)
- Note orientation of Cam Stop
- Ensure that square cutout of Door Rod Assembly sits securely on Combination Lock Swing Handle
- Ensure that door rods are behind door rod guides



REMOVE:
-Existing Door Handle

INSTALL:
-Combination Lock Swing Handle

N-Type and S-Type Split Door

Combination Lock Swing Handle Installation

- Remove Cam Screw (use 10mm socket wrench) and Cam Stop (note orientation of Cam Stop) from existing handle
- Remove Door Handle Backing Plate and remove existing door handle (remove [2] Phillips screws)
- Install Combination Lock Swing Handle by securing Door Handle Backing Plate to Swing Handle with [2] Phillips screws
- Install Cam Stop and Cam Screw (use 10mm socket wrench)
- Note orientation of Cam Stop
- Ensure that square cutout of Door Rod Assembly sits securely on Combination Lock Swing Handle

