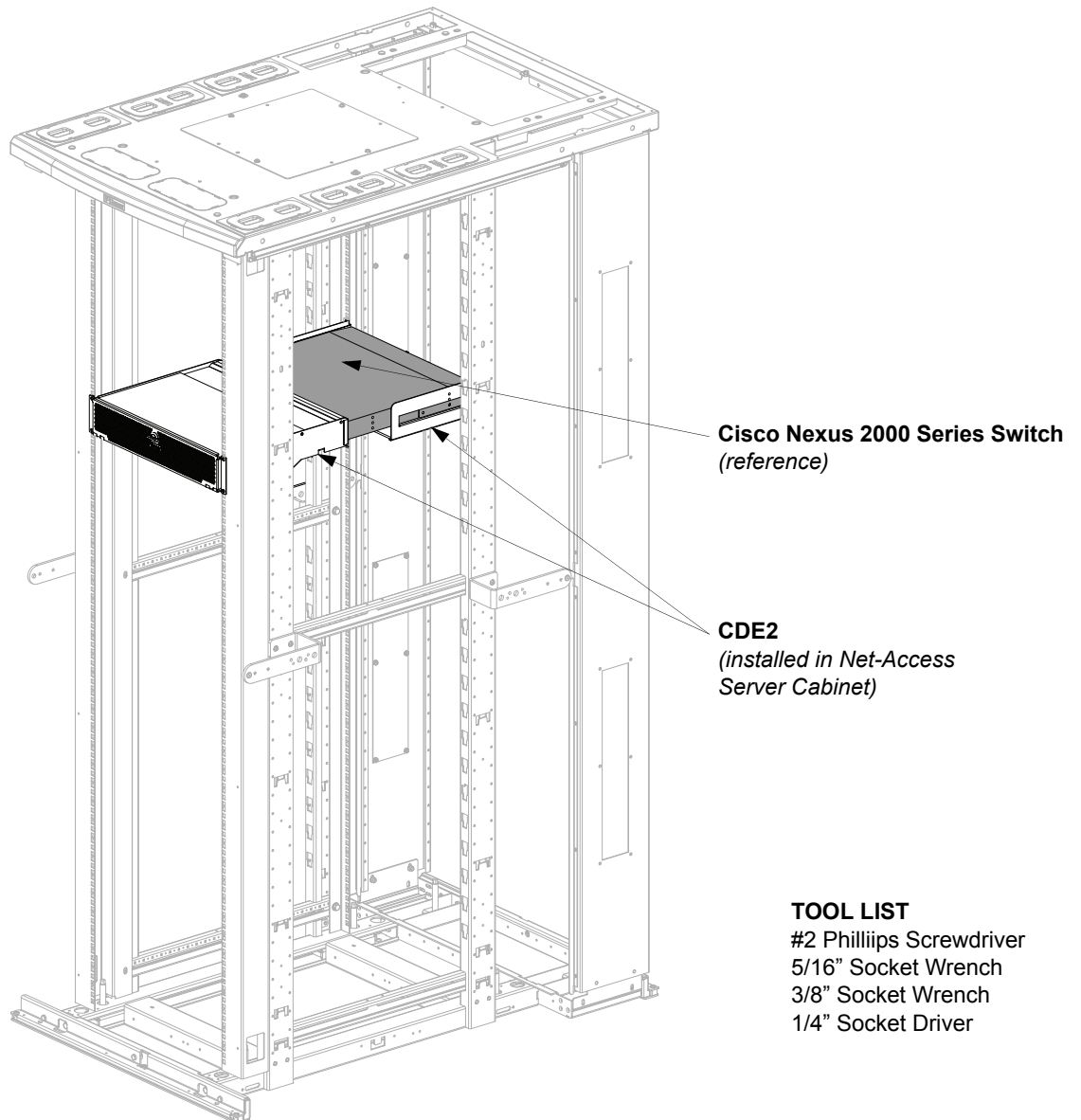
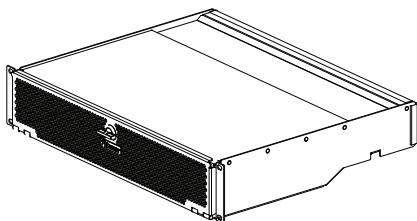


### INSTRUCTIONS CM429A

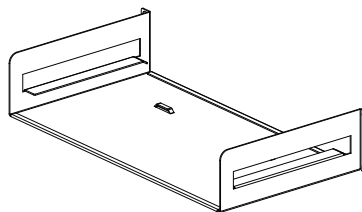
© Panduit Corp. 2010



### Component Guide



**(1) Switch Ducting**  
(with hinged Perforated Door)



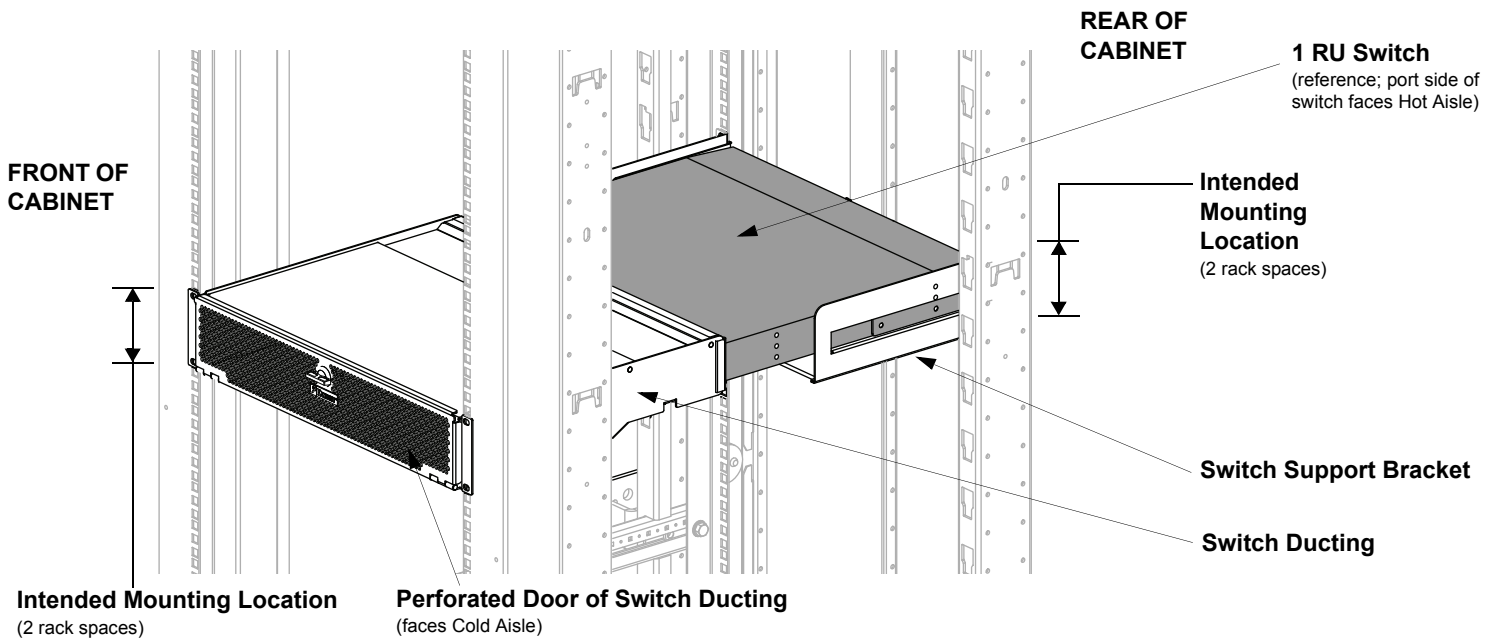
**(1) Switch Support Bracket**

**(1) Hardware Kit**  
(not shown)

## Determine Location of Switch Ducting and Switch Support Bracket

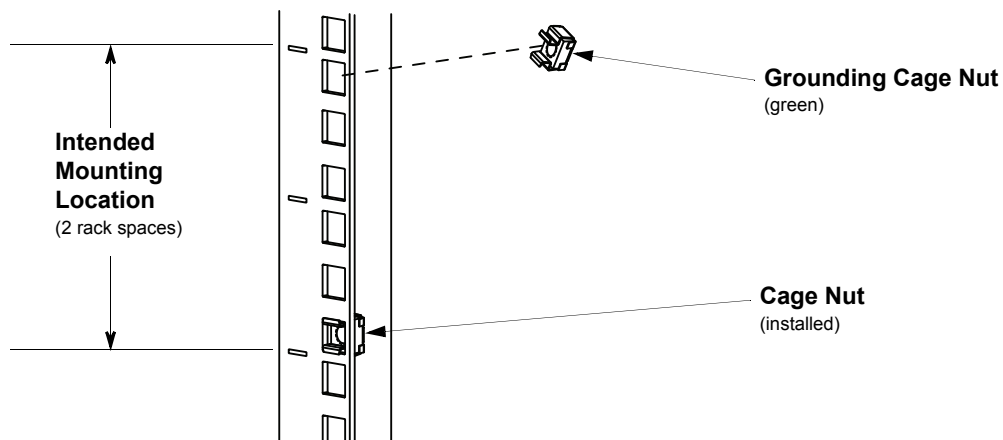
**NOTES:** Front to back span of equipment rails may need to be adjusted to accommodate your switch. See table below for front to rear rail spacing requirements. Equipment installed directly below CDE2 may impede routing of switch power cord if installed prior to CDE2.

Switch Ducting and Switch Support Bracket components of CDE2 require two (2) rack spaces for installation. Switch Ducting and Switch Support Bracket are to be installed at the same vertical rack position. CDE2 components are to be installed prior to switch installation and are designed to support the switch. (CDE2 ducting system ONLY requires use of primary Cisco rack mount brackets. Cisco supplied switch cradle or extension brackets are not compatible with CDE2.)



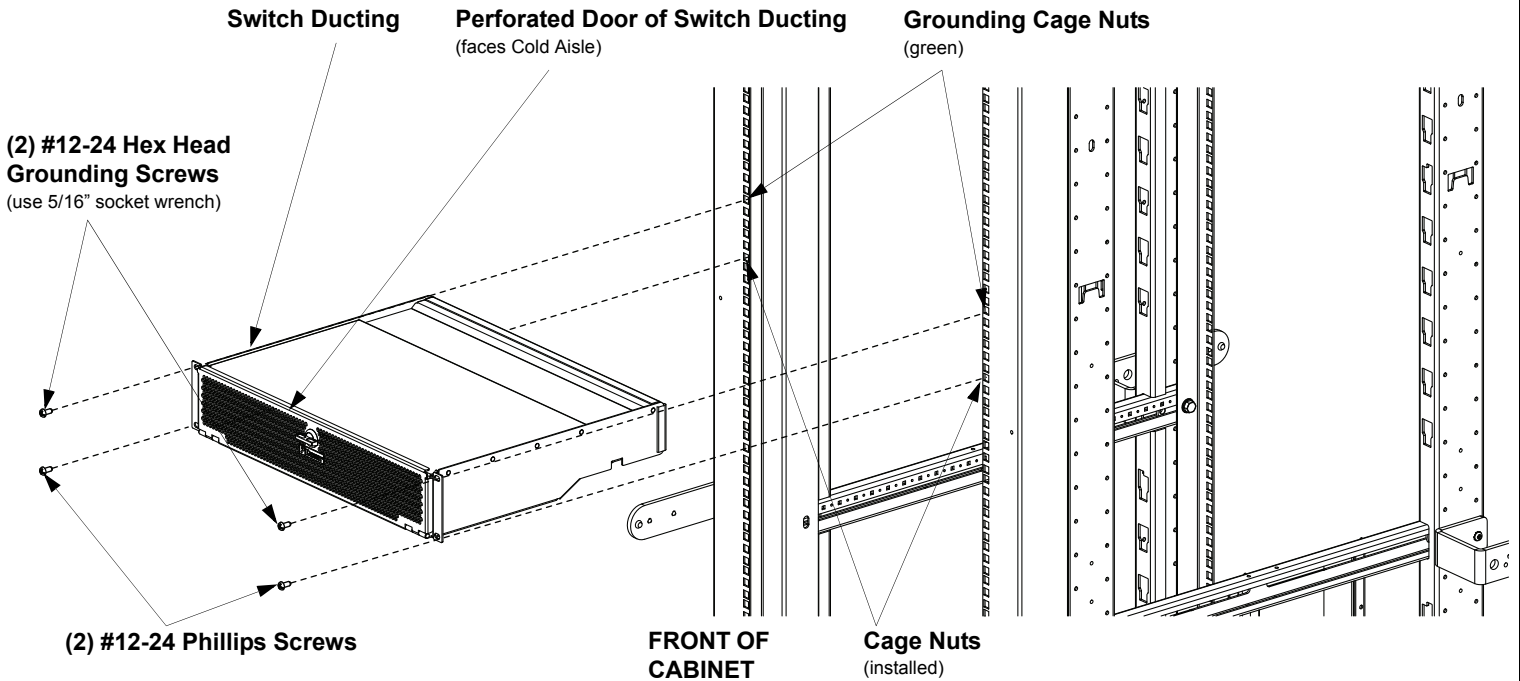
## Install Cage Nuts

Insert (2) cage nuts per equipment rail at CDE2 component mounting locations (8 total cage nuts are to be installed). (1) grounding cage nut (green) **must be** installed in each equipment rail. The view below depicts cage nut locations for (1) intended mounting location.



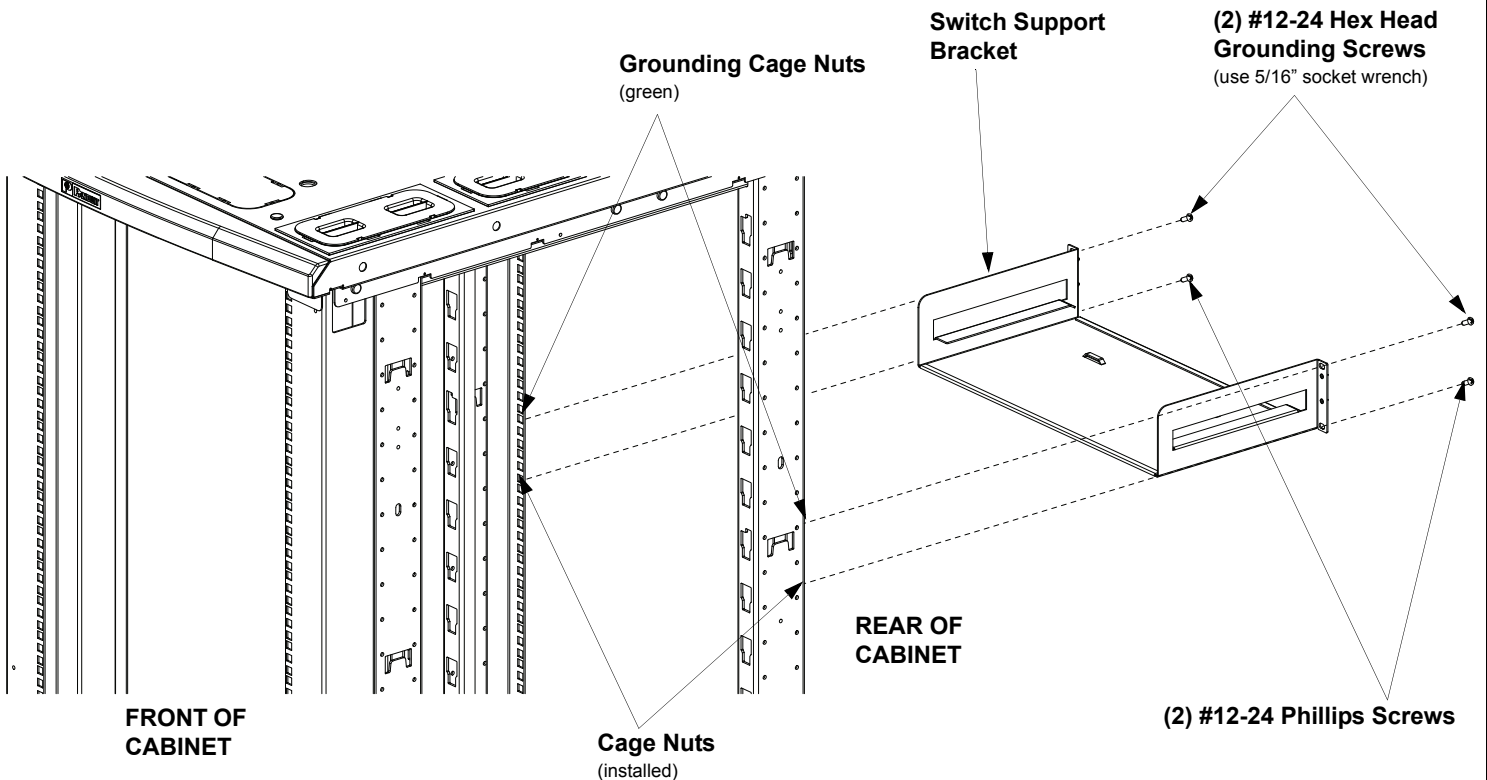
## Install Switch Ducting

Position Switch Ducting so that the perforated door of ducting faces the cold aisle and the mounting holes of Switch Ducting align with cage nuts in equipment rails (*installed on page 2*). Secure Switch Ducting to equipment rails using (1) #12-24 Phillips screw and (1) hex head grounding screw (*green; use 5/16" socket wrench*) per rail. Ensure that hex head grounding screws fasten into grounding cage nuts.



## Install Switch Support Bracket

Position Switch Support Bracket so that the mounting holes of Switch Support Bracket align with cage nuts in equipment rails (*installed on page 2*). Secure Switch Support Bracket to equipment rails using (1) #12-24 Phillips screw and (1) hex head grounding screw (*green; use 5/16" socket wrench*) per rail. Ensure that hex head grounding screws fasten into grounding cage nuts.



## Routing of Switch Power Cable

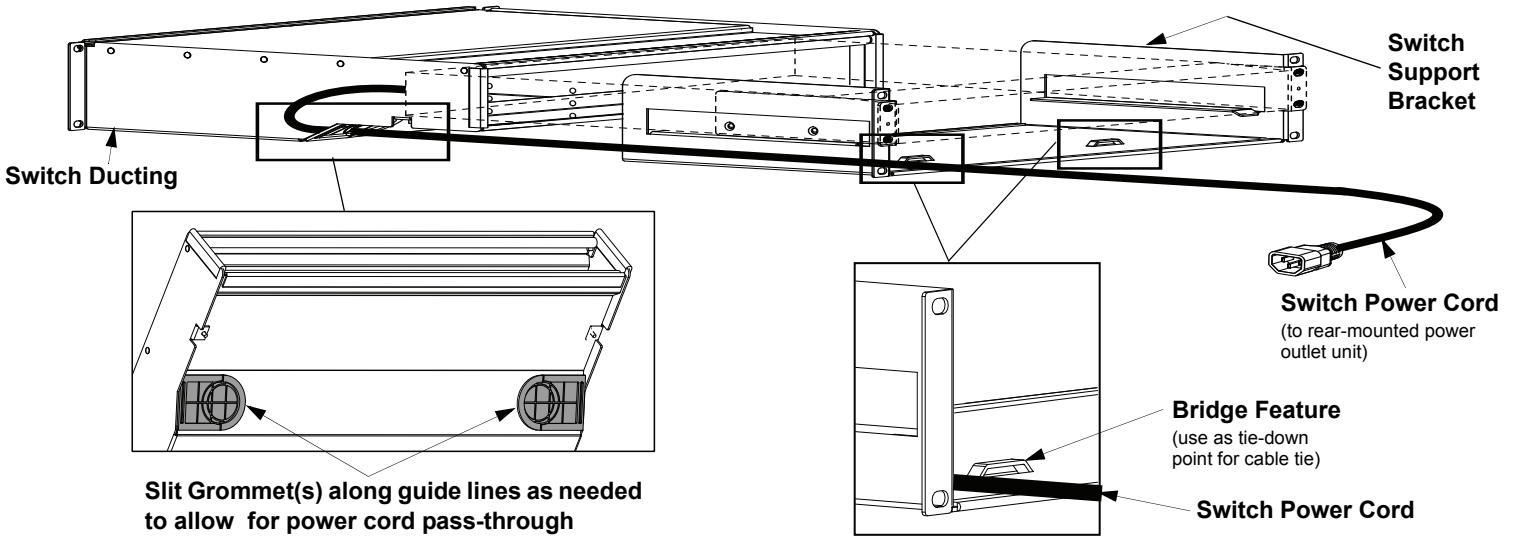
**NOTE:** Dashed outline of 1 RU Switch is shown for power cord routing reference only.

**DO NOT INSTALL SWITCH AT THIS TIME.** Cabinet and equipment rails are not shown to add clarity to view.

Prior to switch installation, route power cord through Switch Ducting and Switch Support Bracket as shown. Slit grommet(s) along guide lines as needed to allow for power cord pass-through. Use bridge features on Switch Support Bracket as tie-down point(s) to secure switch power cord to Switch Support Bracket with cable tie.

FRONT OF CABINET

REAR OF CABINET



## Install Switch

**NOTE:** Cabinet and equipment rails are not shown to add clarity to view.

Slide the 1 RU Switch onto positioning flanges of Switch Support Bracket. Carefully insert inlet side of switch into rear opening of Switch Ducting. Position holes of 1 RU Switch rack mount brackets over threaded studs of Switch Support Bracket. Secure switch to Switch Support Bracket with (4) #10-32 acorn nuts (use 3/8" socket wrench).

