

FIBERRUNNER 6X4 Cable Routing System with QUIKLOCK Coupler

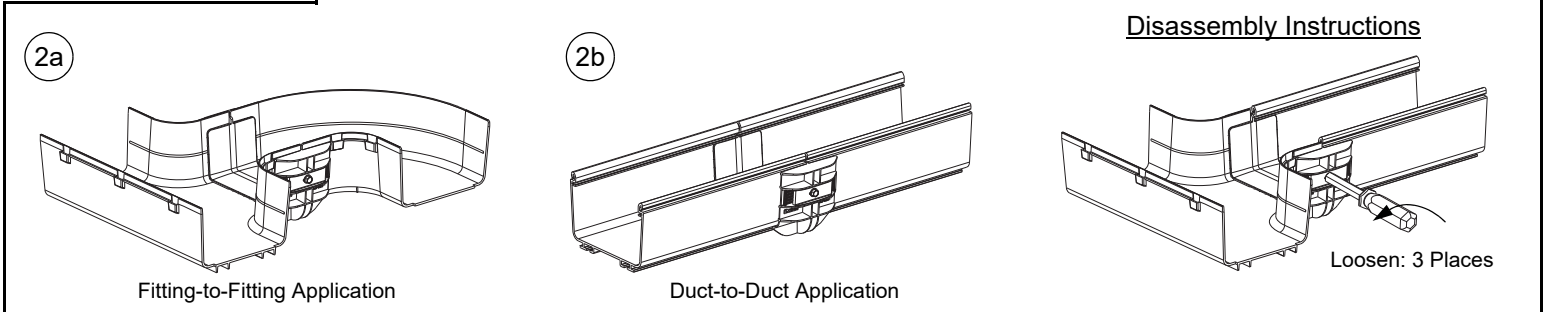
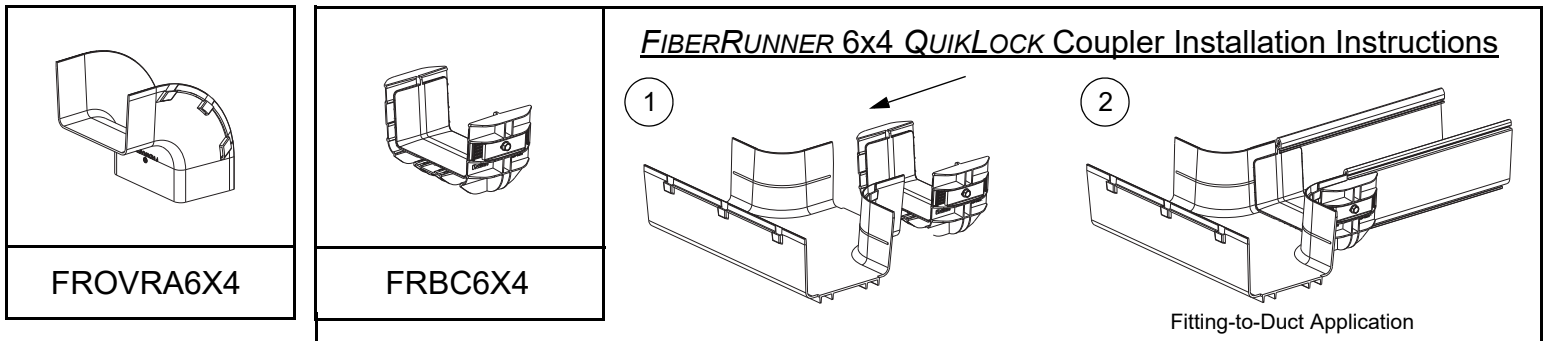
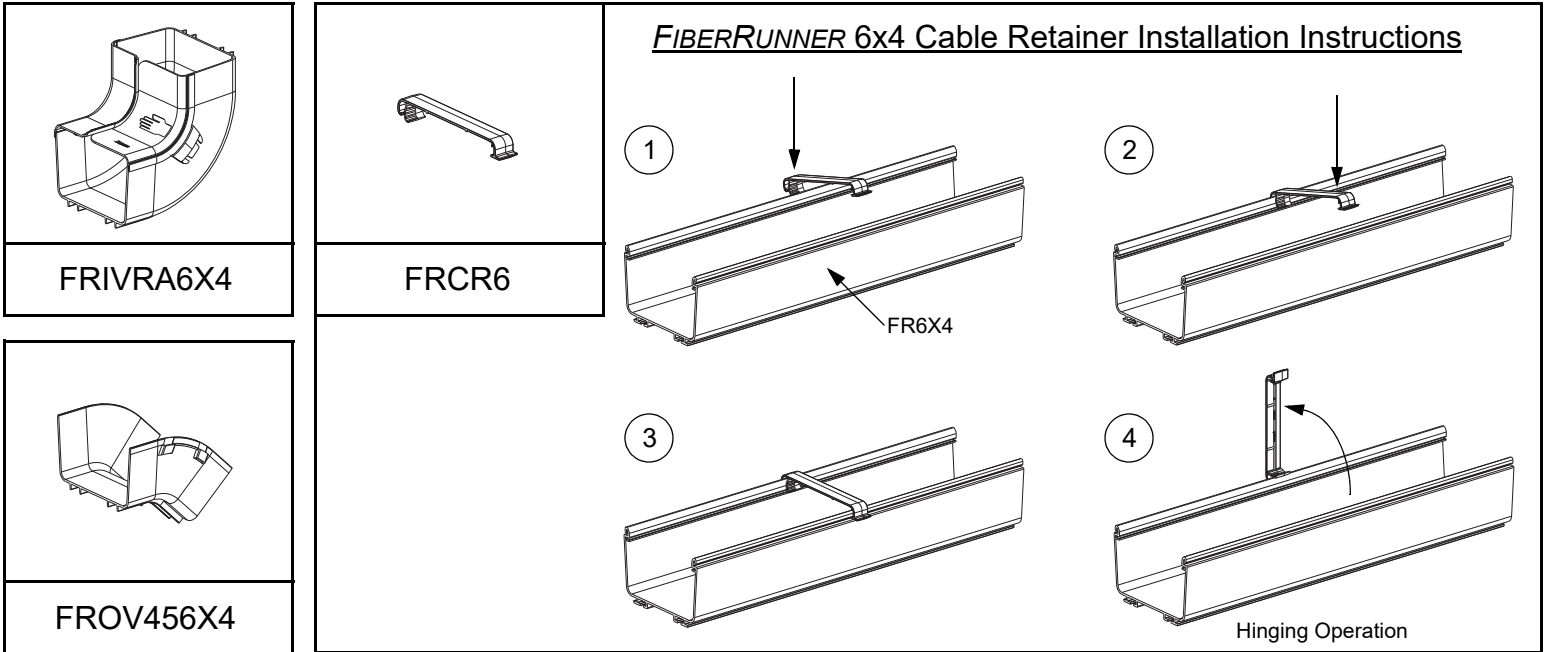
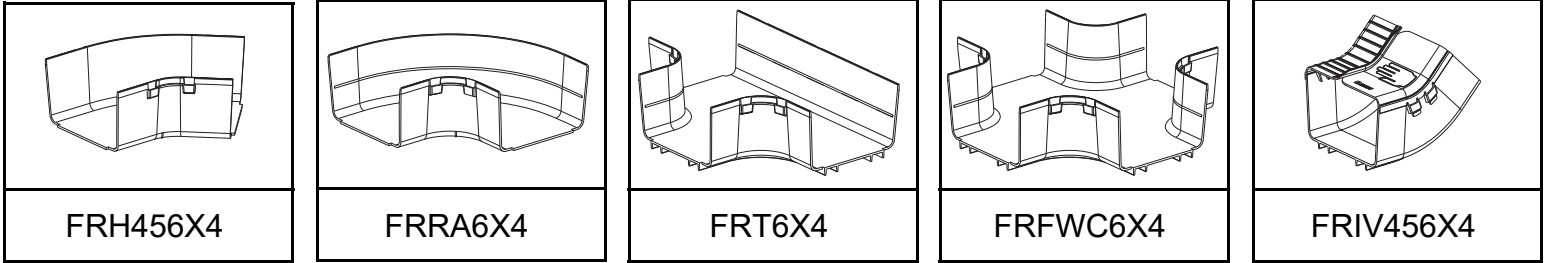


Part Numbers: FRH456X4**, FRH45SC6**, FRAA6X4**, FRRASC6**, FRT6X4**, FRTSC6**,
FRFWC6X4**,FRFWCSC6**, FRIV456X4**, FRIVRA6X4**, FROV456X4**, FROV45SC6**,
FROVRA6X4**, FROVRASC6**, FR6X4**, FRCR6**, FRBC6X4**, FRHC6**, FRSHC6**
FRH456X4L**, FRH45SC6L**, FRAA6X4L**, FRRASC6L**, FRT6X4L**, FRTSC6L**,
FRFWC6X4L**,FRFWCSC6L**, FRIV456X4L**, FRIVRA6X4L**, FROV456X4L**,
FROV45SC6L**, FROVRA6X4L**, FROVRASC6L**, FR6X4L**, FRCR6L**, FRBC6X4L**,
FRHC6L**, FRSHC6L**

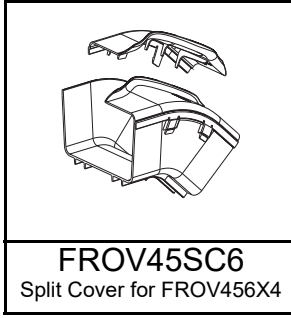
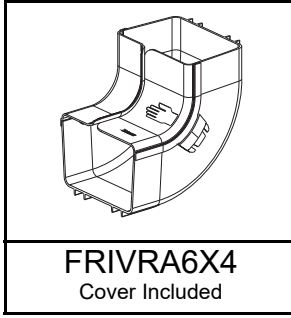
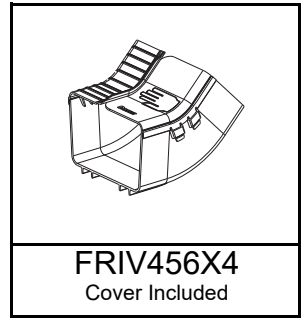
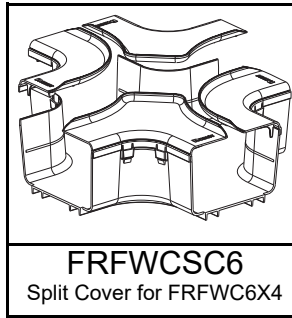
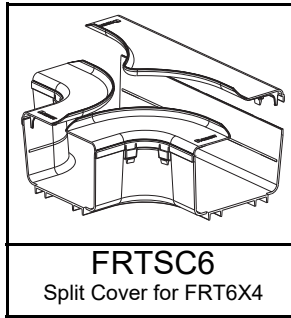
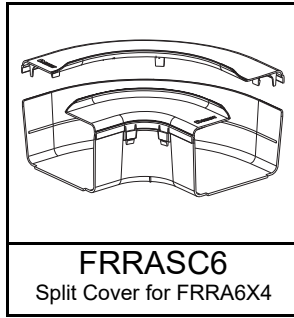
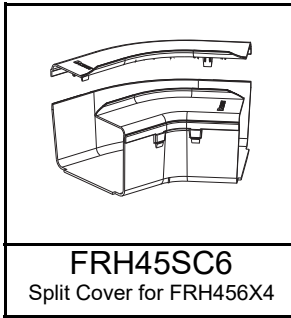
© Panduit Corp. 2020

INSTALLATION INSTRUCTIONS

RW112B



For Technical Support: www.panduit.com/resources/install_maintain.asp



FIBERRUNNER 6x4 Hinged Cover Installation Instructions

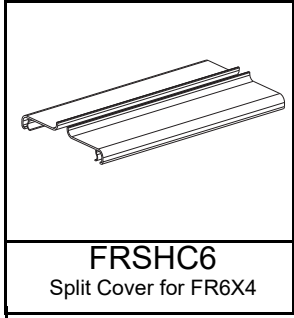
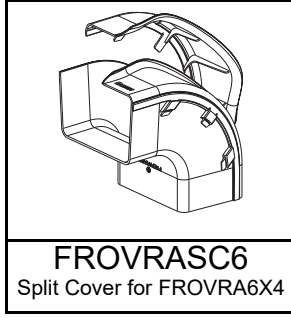
1

2

3

4

Hinging Operation



FIBERRUNNER 6x4 Split Hinged Cover Installation Instructions

1

2

3

4

5

Hinging Operation

For Instructions in Local Languages
and Technical Support:
www.panduit.com/resources/install_maintain.asp



E-mail:
techsupport@panduit.com
Phone:
866-405-6654