

Change connector
gender and polarity
in the field.

PanMPO™ Connectors: See How Easy Change Can Be

Change doesn't have to be hard. Panduit's revolutionary MPO connector protects your fiber infrastructure investment and improves operational efficiency to save time and money.

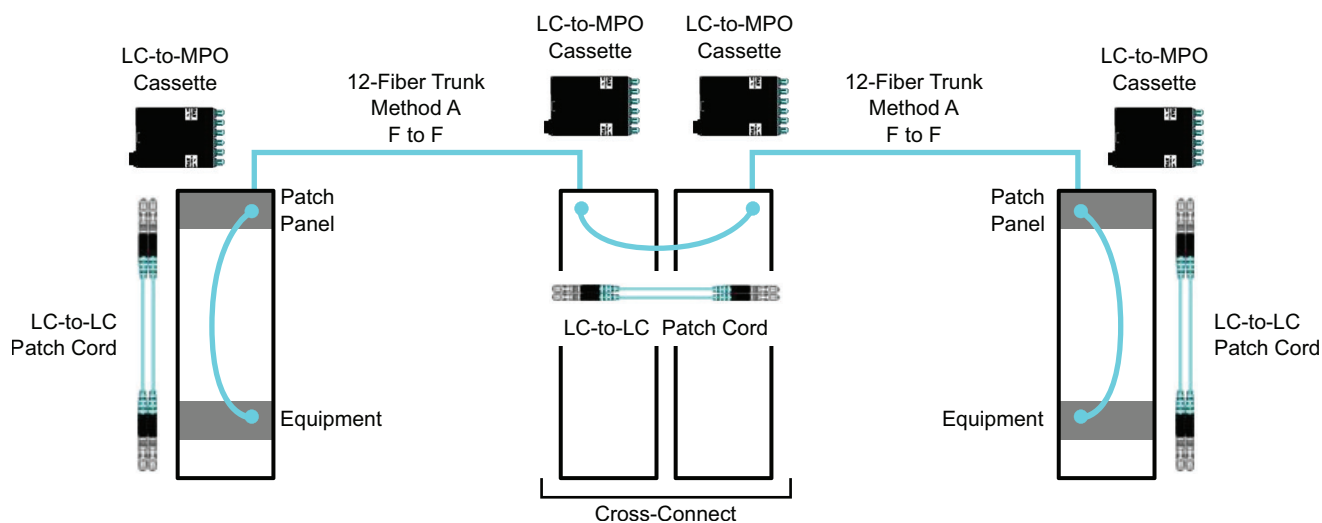
Change polarity and gender on your fiber cable assemblies on the fly with the PanMPO™ Connector. This unique, patented connector helps ease the migration from 10G Ethernet to 40G/100G Ethernet, while keeping the installation in compliance.

- Easily convert between male and female gender, and between key-up and key-down polarity for a standards-compliant 10G or 40G/100G Ethernet installation
- Connector changes are made in the field, as needed
- Always have the right cable assembly on hand by stocking only one type of cable assembly instead of six
- Available on trunks, harnesses, interconnects and reference cords

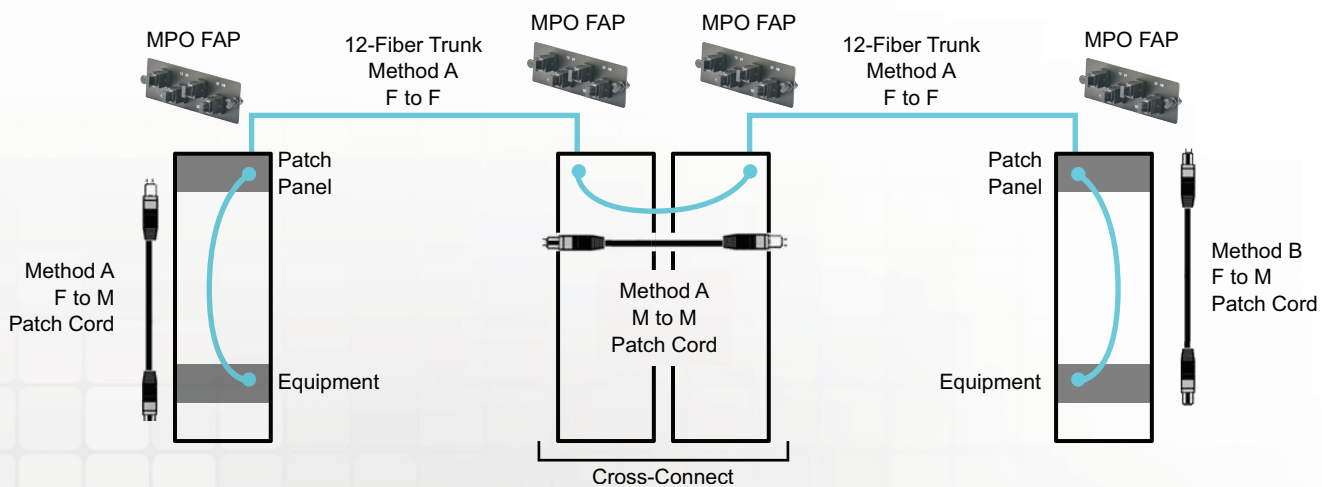
Existing Installations

In an existing 10G Ethernet fiber infrastructure, LC to MPO cassettes are replaced with MPO adapter panels and LC to LC patch cords are replaced with MPO patch cords during migration to 40G Ethernet. In this example, three different types of patch cords are required for the migration: Method A/Female to Male, Method A/Male to Male, and Method B/Female to Male. Using patch cords terminated with PanMPO™ Connectors, only one type of patch cord needs to be purchased and stocked, and can be configured on the fly to replace any of the three needed patch cords.

10G Ethernet



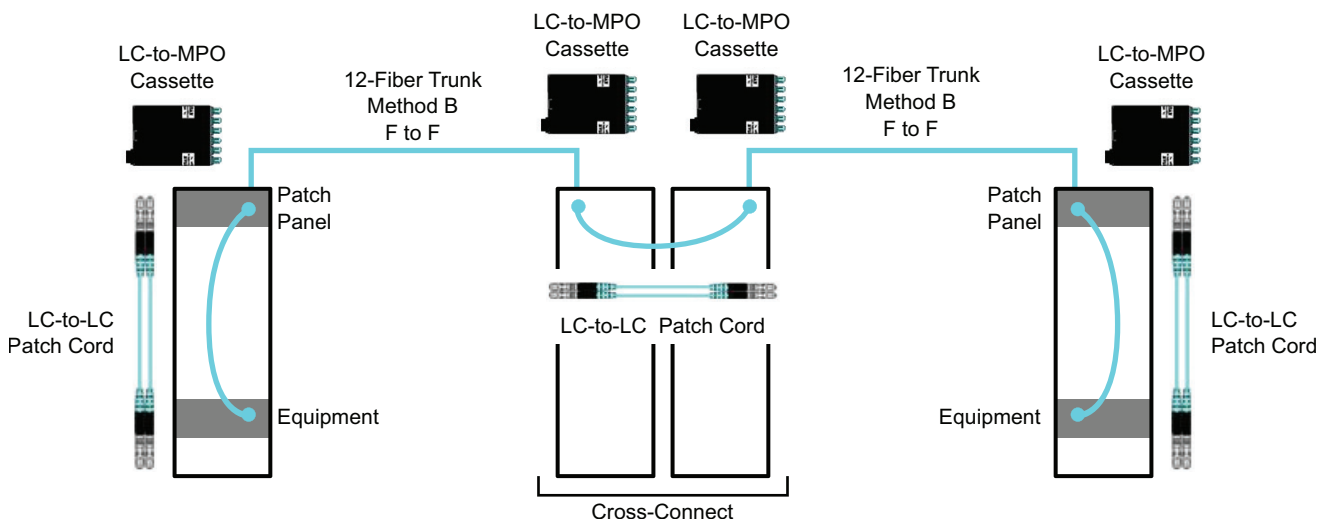
40G/100G Ethernet



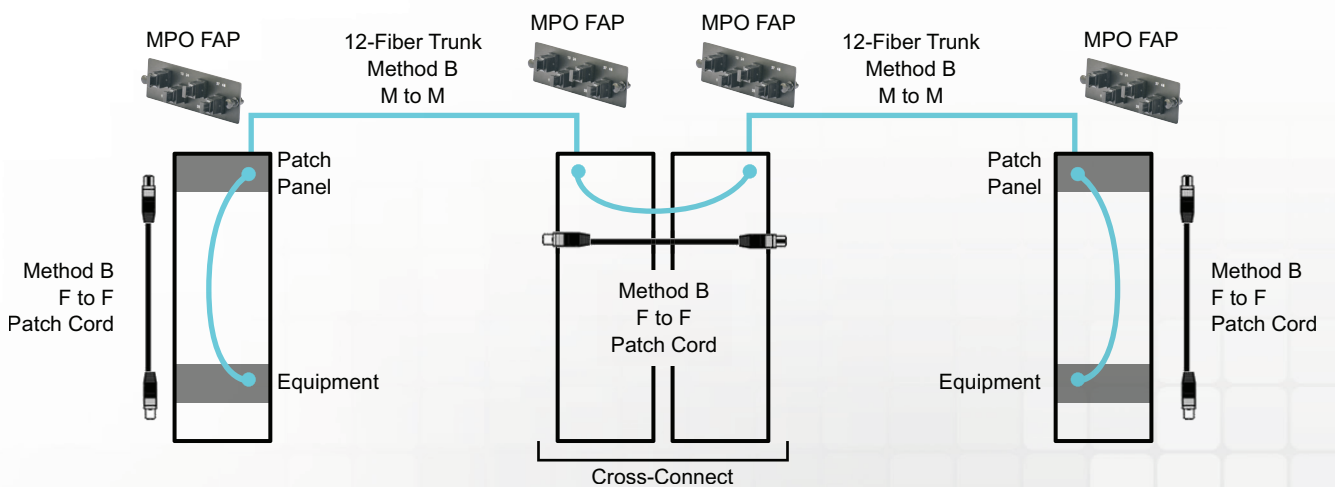
NEW Installation

Using PanMPO™ connectivity in new installations, a Method A fiber backbone with female connectors can be deployed for 10G operation. To migrate these channels to 40G, the PanMPO™ Connector changes from Method A to the preferred Method B polarity with male connectors in the backbone. This results in only one style of MPO cord for either equipment or patch connections. The PanMPO™ Connector is the only product that changes polarity and gender in the field, preserving your infrastructure investment.

10G Ethernet



40G/100G Ethernet



Always have the correct cord on hand: One fiber cable assembly with the PanMPO™ Connector replaces six standard assemblies!

Cable assemblies terminated with the PanMPO™ Connector eliminates excessive inventory costs, stocking and ordering confusion.. The PanMPO™ can be used in any MPO-based infrastructure with trunk assemblies, interconnect cords and MPO patch cords, with one style of cord replacing six.

Male/Up to Male/Up



Male/Up to Male/Down



Female/Up to Male/Up



Female/Up to Female/Up



Female/Up to Male/Down



Female/Up to Female/Down



Reference test cords with the PanMPO™ Connector makes testing multi-fiber links easy. The PanMPO™ Connector used for connecting to the fiber under test can be configured to adapt to any deployment. You will also save costs and time as MPO™ Connectors eliminate the need to carry multiple configurations of reference cords, as well as removes the need to swap cords out frequently.

Comprehensive High Density Solutions

The most comprehensive triple-threat HD Fiber Solutions on the market today. Utilizing these technologies in tandem with the PanMPO™ Connector allows you ultimate flexibility to face any challenges in operation and footprint in an ever changing data market.



HD Flex™ 2.0 Fiber Cabling System

Innovative cable management to optimize space, ease manageability and costs



Signature Core Fiber Cabling System

Signal integrity beyond 40/50/100 Gb/s Ethernet and 16/32 Gb/s Fibre Channel Standards Requirements

WORLDWIDE SUBSIDIARIES AND SALES OFFICES

PANDUIT CANADA
Markham, Ontario
cs-cdn@panduit.com
Phone: 800.777.3300

PANDUIT EUROPE LTD.
London, UK
cs-emea@panduit.com
Phone: 44.20.8601.7200

PANDUIT SINGAPORE PTE. LTD.
Republic of Singapore
cs-ap@panduit.com
Phone: 65.6305.7575

PANDUIT JAPAN
Tokyo, Japan
cs-japan@panduit.com
Phone: 81.3.6863.6000

PANDUIT LATIN AMERICA
Guadalajara, Mexico
cs-la@panduit.com
Phone: 52.33.3777.6000

PANDUIT AUSTRALIA PTY. LTD.
Victoria, Australia
cs-aus@panduit.com
Phone: 61.3.9794.9020

For a copy of Panduit product warranties, log on to www.panduit.com/warranty

For more information

Visit us at www.panduit.com

Contact Customer Service by email: cs@panduit.com
or by phone: 800.777.3300

PANDUIT®

© 2016 Panduit Corp.
ALL RIGHTS RESERVED.
Printed in the U.S.A.
FBFL02--SA-ENG
10/2016